



C8892

Integrated low-noise driver/amplifier circuit for NMOS linear image sensor

The C8892 is multichannel detector head incorporating low-noise driver/amplifier circuit developed for HAMAMATSU NMOS linear image sensors. The C8892 is designed especially for compactness, having an overall length as short as 40 mm or less. In addition, the C8892 is designed for ease of use. It is provided with circular flange for connection to monochromator and adjustment mechanism for optical alignment for NMOS linear image sensor. The flange is interchangeable, thus facilitating connection to various models of monochromator. The housing case also provides a shielding effect against external noise. As useful options, peripheral devices are available for driving the C8892, and for the output signal processing.

Features

- Low noise
- Wide dynamic range
- Operatable with simple input signals
(Only a master start pulse, a master clock pulse, ± 15 V are required.)
- Interchangeable flange
- Simple electrical and optical adjustments

Applications

- Multichannel spectrophotometry
- Optical spectrum analysis
- Time-resolved photometry

Compatible NMOS linear image sensors

Type no.*1	Number of pixels	Pixel size (pixel pitch × height)
S3901-128Q, S8380-128Q	128	50 μ m × 2.5 mm
S3901-256Q/F, S8380-256Q	256	
S3901-512Q/F, S8380-512Q	512	
S3902-128Q	128	50 μ m × 0.5 mm
S3902-256Q/F	256	
S3902-512Q/F	512	
S3903-256Q	256	25 μ m × 0.5 mm
S3903-512Q/F	512	
S3903-1024Q/F	1024	
S3904-256Q, S8381-256Q	256	25 μ m × 2.5 mm
S3904-512Q/F, S8381-512Q	512	
S3904-1024Q/F, S8381-1024Q	1024	

*1: The suffix of type number indicates:
Q: quartz window, F: fiber optic window

▣ Absolute maximum ratings

Parameter	Symbol	Value	Unit
Supply voltage (analog)	Va	±18	V
Operating temperature	Topr	0 to +50*2	°C
Storage temperature	Tstg	-10 to +60*2	°C

*2: No dew condensation

When there is a temperature difference between a product and the surrounding area in high humidity environment, dew condensation may occur on the product surface. Dew condensation on the product may cause deterioration in characteristics and reliability.

Note: Exceeding the absolute maximum ratings even momentarily may cause a drop in product quality. Always be sure to use the product within the absolute maximum ratings.

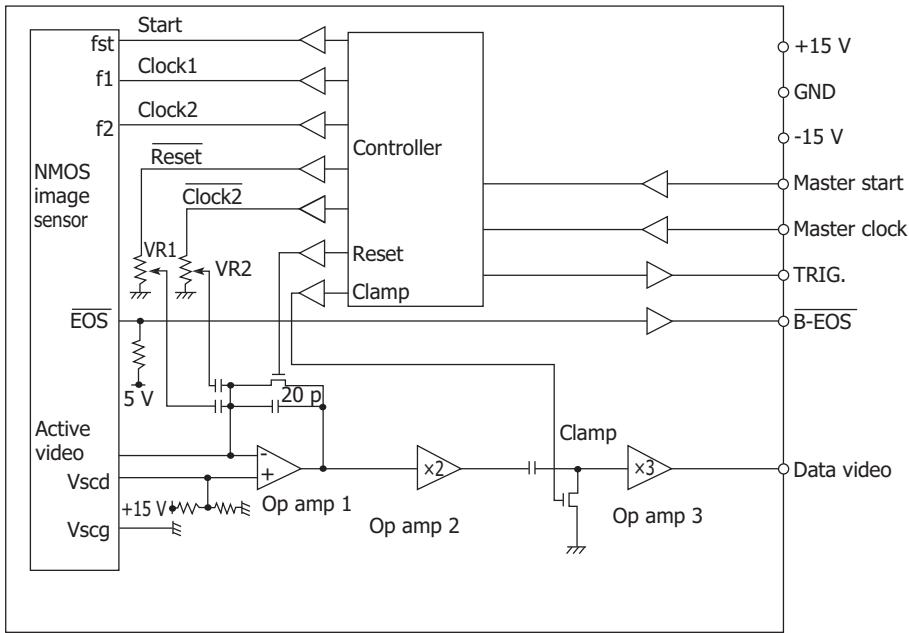
▣ Electrical characteristics (Ta=25 °C)

Parameter		Symbol	Min.	Typ.	Max.	Unit		
Input	Supply voltage	Analog	Va	±14.5	±15.0	±15.5	V	
	Master start pulse (φms)	Voltage	Vms(H)	2.0	5.0	-	V	
			Vms(L)	0	-	0.8		
		Width	tpwφms	1/fφmc	-	-	s	
	Master clock pulse (φmc)	Rise/fall Time	trφms, tfφms	-	-	500	ns	
			Vmc(H)	2.0	5.0	-		V
		Vmc(L)	0	-	0.8			
		Frequency	fφmc	-	-	375	kHz	
	Output*4	Start pulse (φst)	Voltage	Vst(H)	4.75	5.0	-	V
				Vst(L)	0	-	0.4	
Rise/fall time			trφst, tfφst	-	-	100	ns	
Width			tpwφst	-	2/fφmc	-	s	
Clock pulse (φ1, φ2)		Voltage	V1(H), V2(H)	4.75	5.0	-	V	
			V1(L), V2(L)	0	-	0.4		
		Rise/fall time	trφ1, trφ2	-	-	100	ns	
			tfφ1, tfφ2	-	-			
Clock pulse (φ1) width		tpwφ1	-	3/fφmc	-	s		
Clock pulse (φ2) width		tpwφ2	-	3/fφmc	-	s		
End of scan pulse	Voltage	Veos(H)	4.75	5.0	-	V		
		Veos(L)	-	-	0.4			
	Rise/fall time	treos, tfeos	-	-	100	ns		
Width		tpweos	-	3/fφmc	-	s		
Trigger pulse	Voltage	Vtrig(H)	4.0	5.0	-	V		
		Vtrig(L)	0	-	0.4			
Rise/fall time		trtrig, tftig	-	-	100	ns		

*3: The operation of duty ratio 50% typ. is recommended.

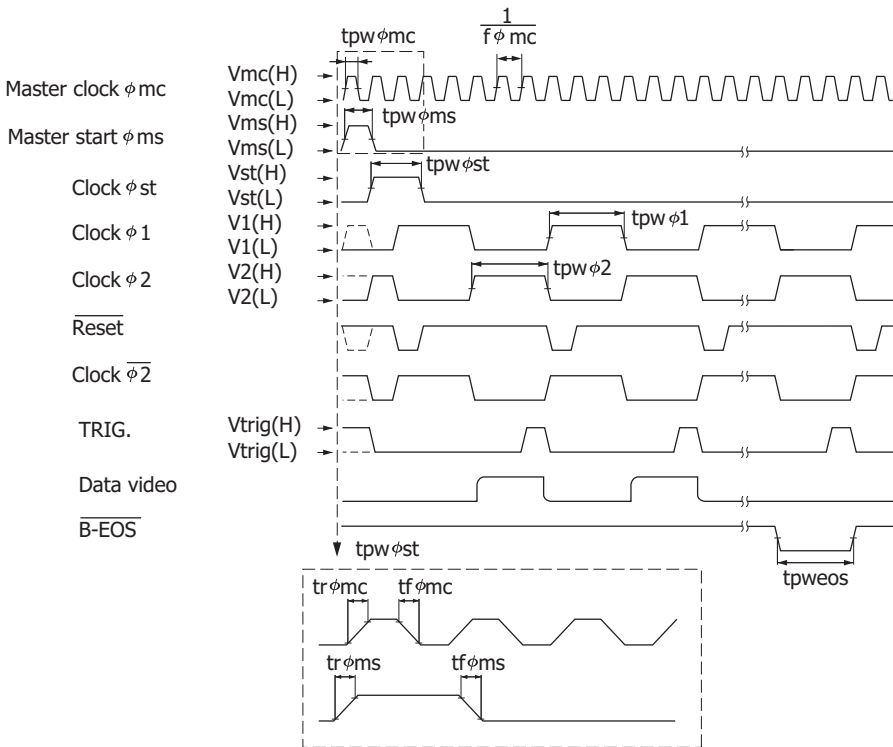
*4: The outputs of start-pulse and clock-pulse are to be obtained from a front part where an image sensor is installed. The outputs of end-of-scan and trigger-pulse are to be obtained from a back-side part where a connector for input/output signal is fixed.

Block diagram



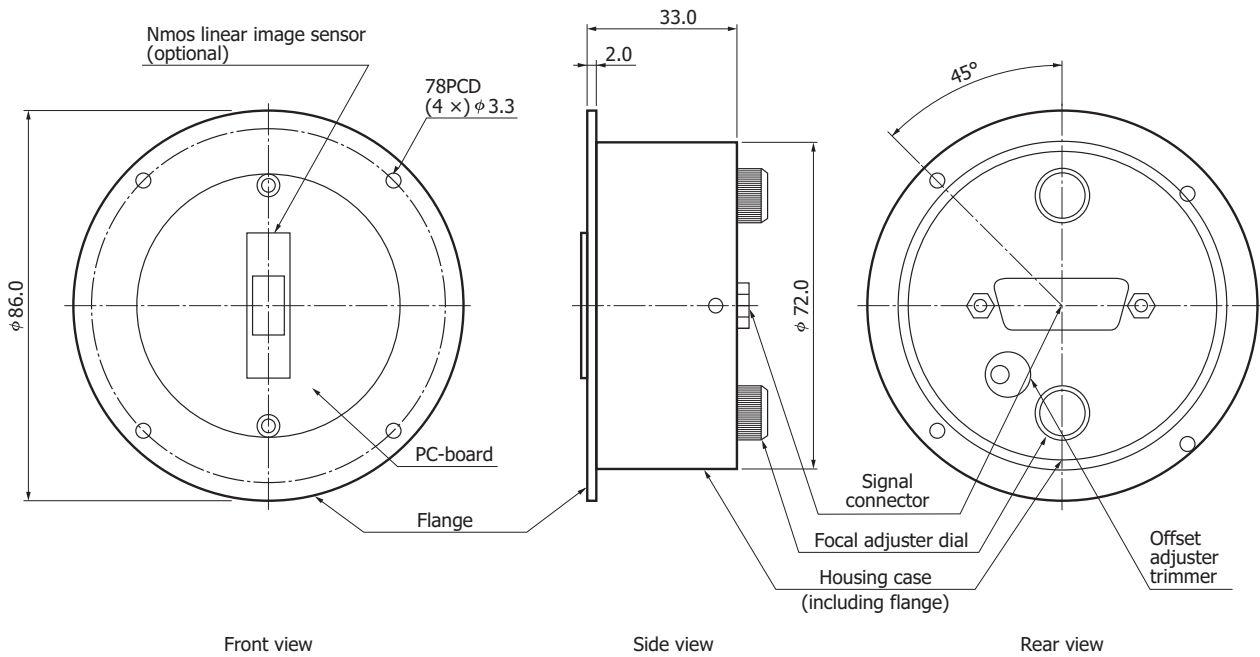
KACCC0171EA

Timing chart



KACCC0172EA

Dimensional outline (unit: mm)

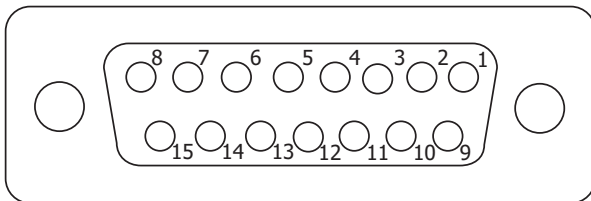


The focal position can be adjusted backward within the range from 0 to 4.5 mm (circuit stroke length) with a focal adjustment dial.

Weight: approx. 0.16 kg

KACCA0113EA

Pin assignment of "Signal I/O" connector (15-pin D-sub socket type)



KACCC0069EA

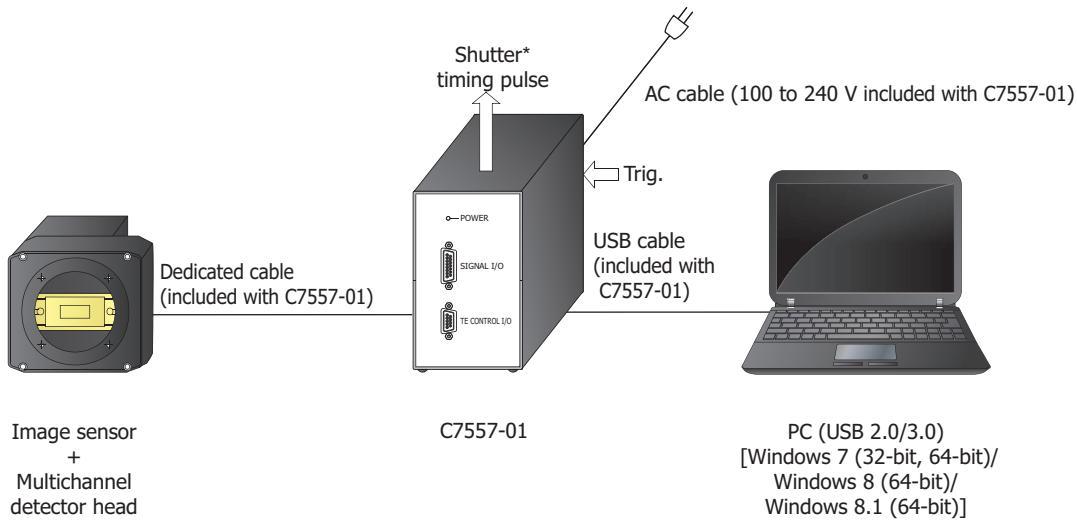
Terminal no.	Terminal name	Description
1	NC	No connection
2	Data video	Analog video signal output; positive polarity
3	+15 V	Positive power supply (25 mA)
4	-15 V	Negative power supply (15 mA)
5	NC	No connection
6	Start	Digital input signal for initializing the circuit; positive logic. Interval of these pulses equals the integration time of the sensor.
7	CLK	Digital input signal for operating the circuit at the rising edge
8	EOS	Digital output signal indicating end of scan, negative logic
9	A.GND	Analog ground
10	A.GND	Analog ground
11	Shield	Case shield
12	D.GND	Digital ground
13	D.GND	Digital ground
14	D.GND	Digital ground
15	Trigger	Digital output signal for A/D conversion; positive logic

- Video data rate is 1/6 of master clock frequency (62.5 kHz max.).
- The operation of circuit stroke length below 4.5 mm is recommended.
- The relation between data video output voltage and output charges from NMOS image sensor can be expressed by the following formula.

$$V_{out} [V] = 3 \times \frac{\text{Output charge}}{10 \times 10^{-12} [F]}$$

Note: Amplifier saturation voltage is 10 V.

Connection example



* Shutter, etc. are not available.

KACCCD402ED

Precautions

When operating the C8892 with the C7557-01, always be sure to attach the MOS adapter (supplied) to the C7557-01 main unit. If the C8892 is connected and the power is turned on without attaching the adapter, the power supply in the C7557-01 main unit may be damaged.

Related information

www.hamamatsu.com/sp/ssd/doc_en.html

- Precautions
- Disclaimer

Information described in this material is current as of October 2016. Product specifications are subject to change without prior notice due to improvements or other reasons. This document has been carefully prepared and the information contained is believed to be accurate. In rare cases, however, there may be inaccuracies such as text errors. Before using these products, always contact us for the delivery specification sheet to check the latest specifications. The product warranty is valid for one year after delivery and is limited to product repair or replacement for defects discovered and reported to us within that one year period. However, even if within the warranty period we accept absolutely no liability for any loss caused by natural disasters or improper product use. Copying or reprinting the contents described in this material in whole or in part is prohibited without our prior permission.

HAMAMATSU

www.hamamatsu.com

HAMAMATSU PHOTONICS K.K., Solid State Division
 1126-1 Ichino-cho, Higashi-ku, Hamamatsu City, 435-8558 Japan, Telephone: (81) 53-434-3311, Fax: (81) 53-434-5184
 U.S.A.: Hamamatsu Corporation: 360 Foothill Road, Bridgewater, N.J. 08807, U.S.A., Telephone: (1) 908-231-0960, Fax: (1) 908-231-1218
 Germany: Hamamatsu Photonics Deutschland GmbH: Arzbergerstr. 10, D-82211 Herrsching am Ammersee, Germany, Telephone: (49) 8152-375-0, Fax: (49) 8152-265-8
 France: Hamamatsu Photonics France S.A.R.L.: 19, Rue du Saule Trapu, Parc du Moulin de Massy, 91882 Massy Cedex, France, Telephone: 33-(1) 69 53 71 00, Fax: 33-(1) 69 53 71 10
 United Kingdom: Hamamatsu Photonics UK Limited: 2 Howard Court, 10 Tewin Road, Welwyn Garden City, Hertfordshire AL7 1BW, United Kingdom, Telephone: (44) 1707-294888, Fax: (44) 1707-325777
 North Europe: Hamamatsu Photonics Norden AB: Torshamnsgatan 35 16440 Kista, Sweden, Telephone: (46) 8-509-031-00, Fax: (46) 8-509-031-01
 Italy: Hamamatsu Photonics Italia S.r.l.: Strada della Moia, 1 int. 6, 20020 Arese (Milano), Italy, Telephone: (39) 02-93581733, Fax: (39) 02-93581741
 China: Hamamatsu Photonics (China) Co., Ltd.: B1201, Jiaming Center, No.27 Dongsanhuan Beilu, Chaoyang District, Beijing 100020, China, Telephone: (86) 10-6586-6006, Fax: (86) 10-6586-2866