

OVERVIEW

The H14447 is a photosensor module containing a high-speed response 28-mm diameter head-on photomultiplier tube and a high-voltage power supply circuit.

FEATURES

- High speed response: Up to 1.0 GHz
- Large effective area: $\phi 25$ mm
- Current output



SPECIFICATIONS

(at +25 °C)

Parameter		Description / Value	Unit
Spectral response		300 to 650	nm
Photocathode		Bialkali	—
Window material		Borosilicate glass	—
Input voltage		+4.8 to +5.5	V
Max. input voltage		+6.0	V
Max. input current *1		6	mA
Max. average output signal current *2		100	μ A
Max. control voltage		+2.1 (Input impedance 1 M Ω)	V
Recommended control voltage adjustment range		+1.6 to +2.0 (Input impedance 1 M Ω)	V
Effective area		$\phi 25$	mm
Peak sensitivity wavelength		420	nm
Cathode	Luminous sensitivity	Min. 70 Typ. 95	μ A/lm
	Blue sensitivity index (CS 5-58)	Typ. 10	—
	Radiant sensitivity *3	Typ. 80	mA/W
Anode	Luminous sensitivity *2	Min. 0.1 Typ. 0.8	A/lm
	Radiant sensitivity *2 *3	Typ. 670	A/W
	Dark current *2 *4	Typ. 0.1	nA
		Max. 1	
Rise time *2		Typ. 350	ps
Ripple noise *2 *5 (peak to peak)		Max. 0.1	mV
Settling time *6		Max. 10	s
Operating ambient temperature *7		+5 to +50	$^{\circ}$ C
Storage temperature *7		-20 to +50	$^{\circ}$ C
Weight		105	g

*1: At +5 V input voltage, +2.0 V control voltage, and output current equal to dark current.

*2: Control voltage = +2.0 V

*3: Measured at the peak sensitivity wavelength

*4: After 30 minutes storage in darkness

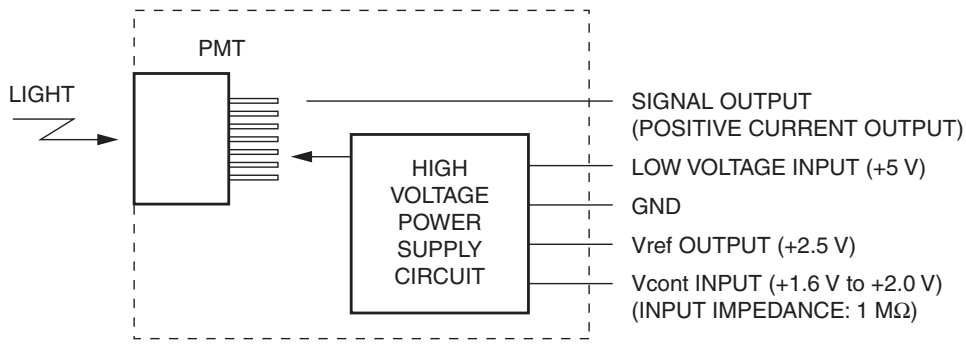
*5: Cable RG-174/U, Cable length 450 mm, Load resistance = 50 Ω , Load capacitance = 22 pF

*6: The time required for the output to reach a stable level following a change in the control voltage from +2.0 V to +1.6 V

*7: No condensation

PHOTOSENSOR MODULE H14447

Figure 1: Schematic diagram



TPMOC0285EA

Figure 2: Time response (Typ.)

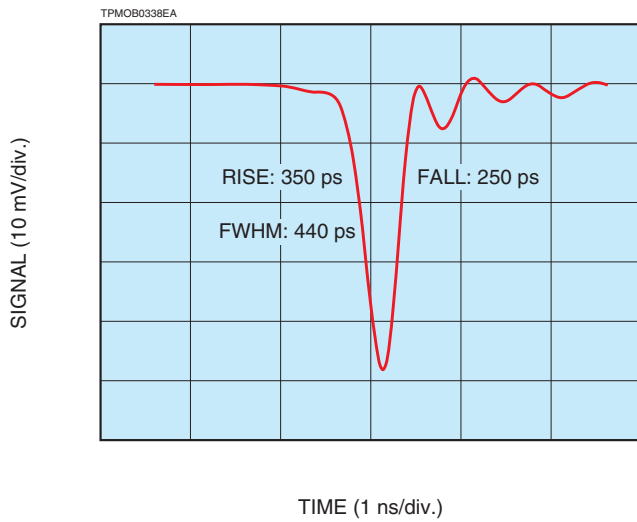


Figure 3: Eye pattern

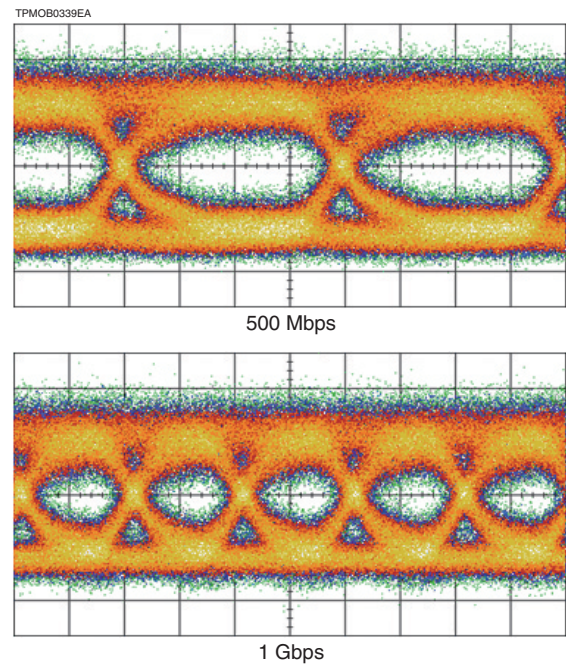
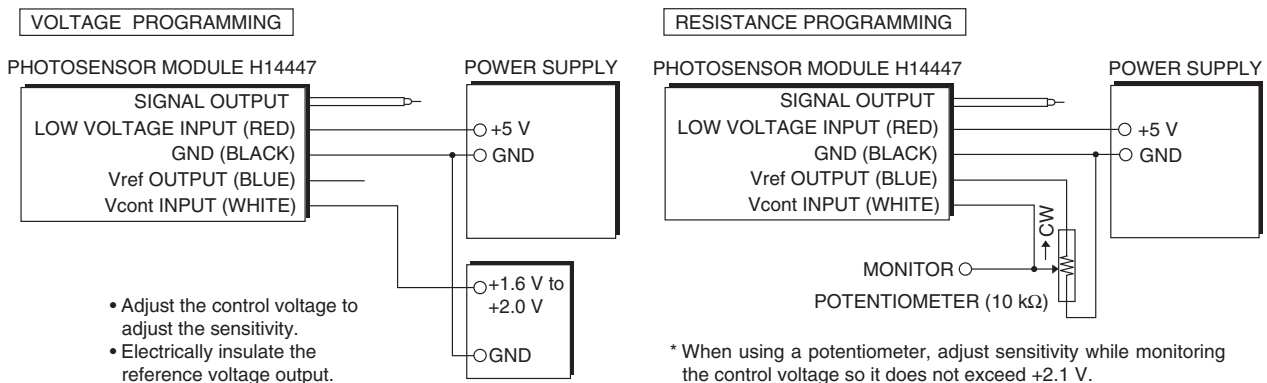


Figure 4: Sensitivity adjustment method



TPMOC0286EA

Figure 5: Spectral response

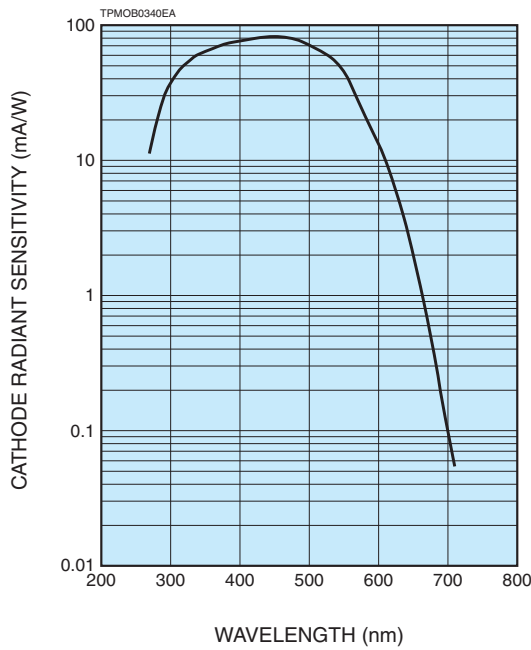


Figure 6: Gain (Typ.)

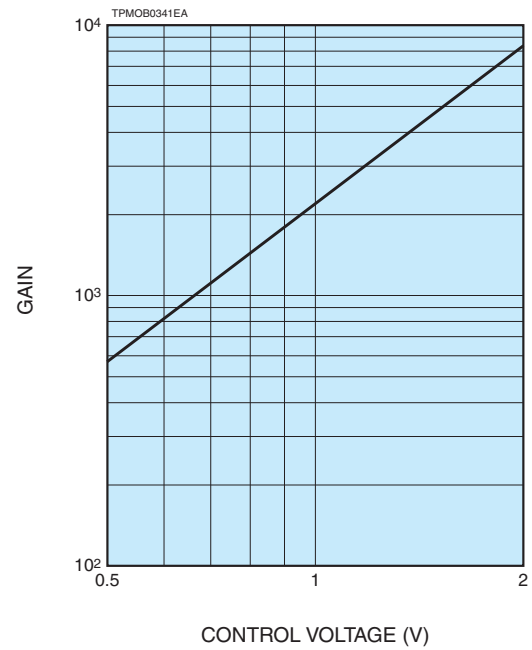
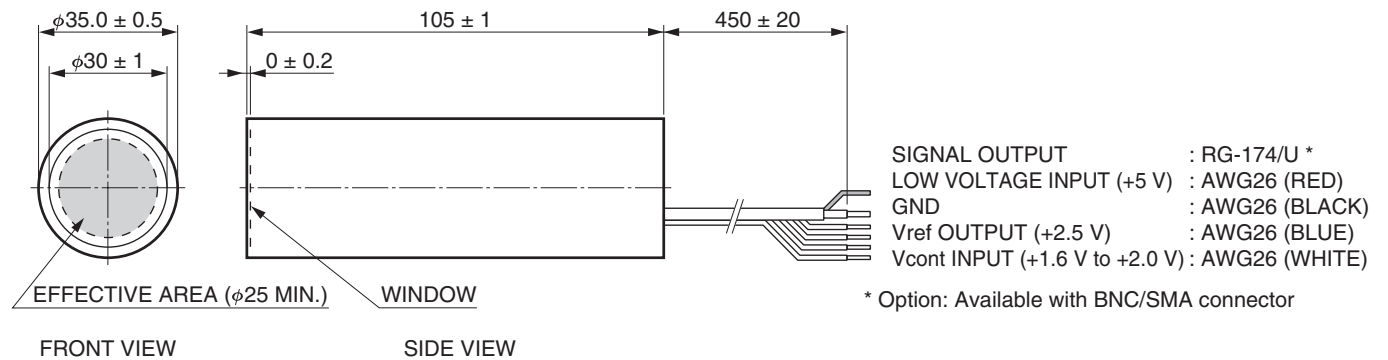


Figure 7: Dimensional outlines (Unit: mm)



PHOTOSENSOR MODULE H14447

HAMAMATSU PHOTONICS K.K. www.hamamatsu.com

HAMAMATSU PHOTONICS K.K., Electron Tube Division

314-5, Shimokanzo, Iwata City, Shizuoka Pref., 438-0193, Japan, Telephone: (81)539/62-5248, Fax: (81)539/62-2205

U.S.A.: Hamamatsu Corporation: 360 Foothill Road, Bridgewater, NJ 08807, U.S.A., Telephone: (1)908-231-0960, Fax: (1)908-231-1218 E-mail: usa@hamamatsu.com

Germany: Hamamatsu Photonics Deutschland GmbH.: Arzbergerstr. 10, D-82211 Herrsching am Ammersee, Germany, Telephone: (49)8152-375-0, Fax: (49)8152-265-8 E-mail: info@hamamatsu.de

France: Hamamatsu Photonics France S.A.R.L.: 19, Rue du Saule Trapu, Parc du Moulin de Massy, 91882 Massy Cedex, France, Telephone: (33)1 69 53 71 00, Fax: (33)1 69 53 71 10 E-mail: infos@hamamatsu.fr

United Kingdom: Hamamatsu Photonics UK Limited: 2 Howard Court, 10 Tewin Road, Welwyn Garden City, Hertfordshire AL7 1BW, UK, Telephone: (44)1707-294888, Fax: (44)1707-325777 E-mail: info@hamamatsu.co.uk

North Europe: Hamamatsu Photonics Norden AB: Torshamnsgatan 35 16440 Kista, Sweden, Telephone: (46)8-509 031 00, Fax: (46)8-509 031 01 E-mail: info@hamamatsu.se

Italy: Hamamatsu Photonics Italia S.r.l.: Strada della Moia, 1 int. 6, 20020 Arese (Milano), Italy, Telephone: (39)02-93 58 17 33, Fax: (39)02-93 58 17 41 E-mail: info@hamamatsu.it

China: Hamamatsu Photonics (China) Co., Ltd.: 1201 Tower B, Jiaming Center, 27 Dongsanhuan Beilu, Chaoyang District, 100020 Beijing, P.R.China, Telephone: (86)10-6586-6006, Fax: (86)10-6586-2866 E-mail: hpc@hamamatsu.com.cn

Taiwan: Hamamatsu Photonics Taiwan Co., Ltd.: 8F-3, No.158, Section2, Gongdao 5th Road, East District, Hsinchu, 300, Taiwan R.O.C. Telephone: (886)3-659-0080, Fax: (886)3-659-0081 E-mail: info@hamamatsu.com.tw

TPMO1094E01
JAN. 2019 IP