

# Side-on PMT

## Photon Counting Head H8259 Series



The H8259 series is a photon counting head device containing a 28-mm (1-1/8") diameter side-on photomultiplier tube, high-speed photon counting circuit, and a high-voltage power supply circuit. The photomultiplier tube sensitive in the near IR region usually has a large dark count due to thermal noise but high S/N measurements can be obtained since a low-noise photomultiplier tube is selected. The high voltage supply for photomultiplier tube and the discrimination level are preset to optimum values, allowing photon counting measurement by just connecting a +5 V supply.

An electronic gate circuit (shutter circuit) is also included to eliminate extraneous light such as excitation light from the measurement.

### Product Variations

Type No.	Spectral Response	Features
H8259	185 nm to 680 nm	Low dark count in UV to visible range
H8259-01	185 nm to 850 nm	Low dark count in UV to near IR range
H8259-02	185 nm to 900 nm	High sensitivity and low dark count in UV to near IR range

This product can't be used at vacuum environment or reduced pressure environment. Please pay attention when the H8259 series is used for measuring the light below 190 nm.

### Specifications

(at +25 °C)

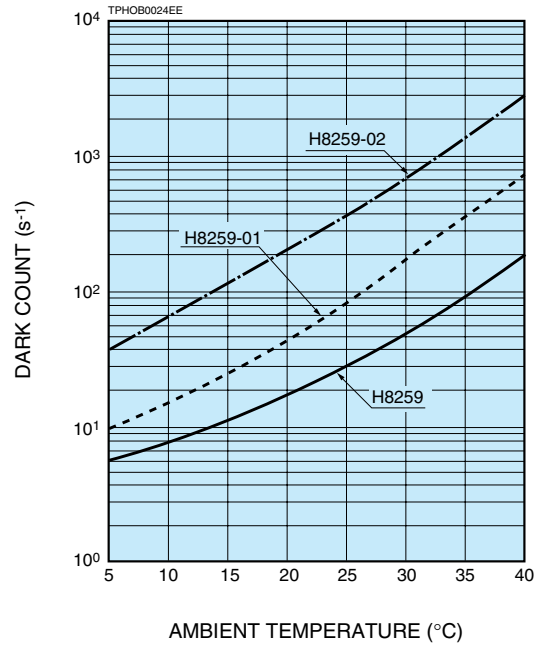
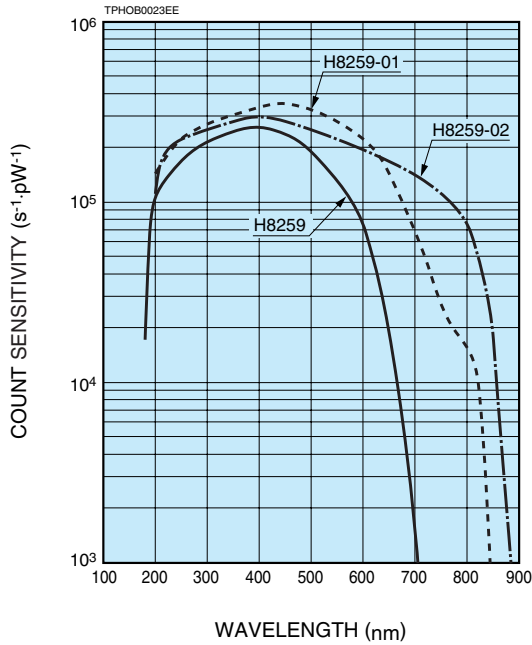
Parameter		H8259	H8259-01	H8259-02	Unit	
Input Voltage		+4.5 to +5.5			V	
Max. Input Voltage		+6			V	
Max. Input Current		80			mA	
Effective Area		4 × 20		4 × 6	mm	
Peak Sensitivity Wavelength		400	430	400	nm	
Count Sensitivity	Typ.	300 nm	$2.1 \times 10^5$	$2.7 \times 10^5$	$2.5 \times 10^5$	
		400 nm	$2.6 \times 10^5$	$3.3 \times 10^5$	$3.0 \times 10^5$	
		500 nm	$1.9 \times 10^5$	$3.2 \times 10^5$	$2.5 \times 10^5$	
		600 nm	$7.5 \times 10^4$	$2.3 \times 10^5$	$2.0 \times 10^5$	
		700 nm	$1.5 \times 10^3$	$6.8 \times 10^4$	$1.4 \times 10^5$	
		800 nm	—	$1.6 \times 10^4$	$7.5 \times 10^4$	
		900 nm	—	—	$3.0 \times 10^2$	
Count Linearity *1		$2.5 \times 10^6$			s <sup>-1</sup>	
Dark Count *2	Typ.	30	80	400	s <sup>-1</sup>	
	Max.	80	200	800		
Gate	Mode		Normally ON		—	
	Switching Ratio		1/1000		—	
	Input	Level	C-MOS (High level: +3.5 V to +5.0 V)			—
		Input Impedance	1			kΩ
		Gate Width (FWHM)	50 μs to ∞			—
		Repetition Rate	Max.	10		kHz
Pulse-pair Resolution		35			ns	
Output Pulse Width		30			ns	
Output Pulse Height *3	Min.	2.0			V	
	Typ.	2.2				
Recommended Load Resistance		50			Ω	
Signal Output Logic		Positive logic			—	
Operating Ambient Temperature *4		+5 to +40			°C	
Storage Temperature *4		-20 to +50			°C	
Weight		220			g	

\*1: Random pulse, at 10 % count loss      \*2: After 30 minutes storage in darkness

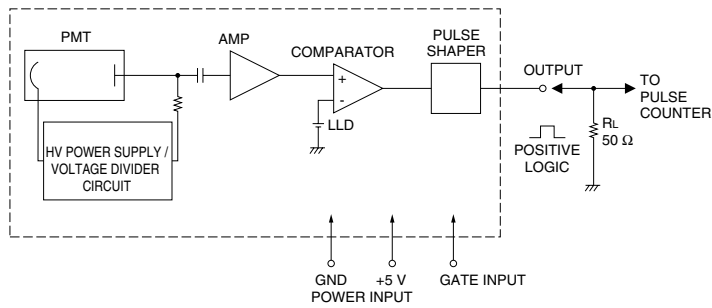
\*3: With input voltage +5 V, Load resistance 50 Ω and Coaxial cable RG-174/U (450 mm)

\*4: No condensation

## Characteristics (Count sensitivity, Dark count)

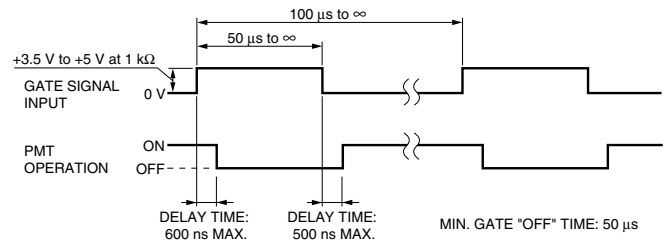


## Block Diagram



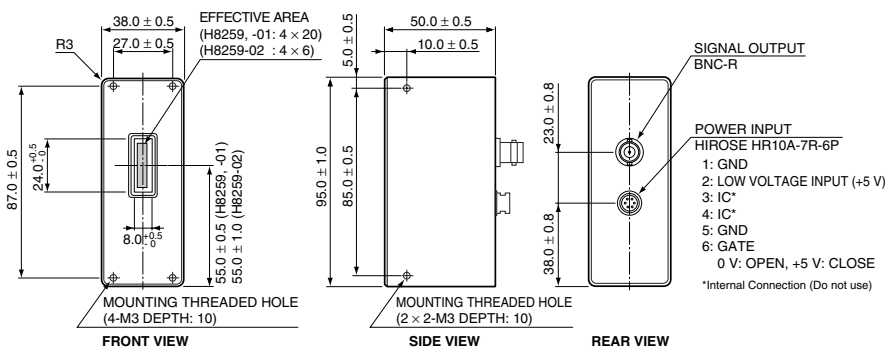
TPHOC0023ED

## Gate Timing Chart

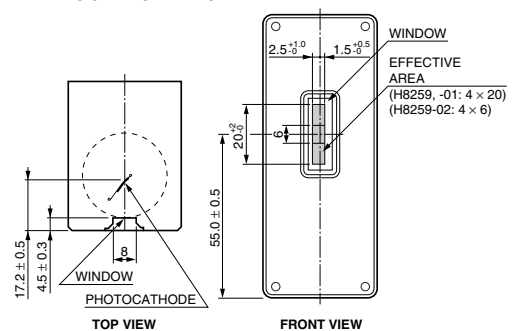


TPHOC0044EB

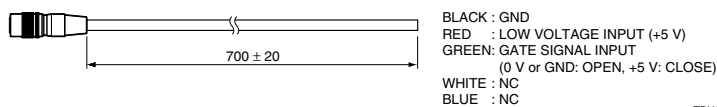
## Dimensional Outlines (Unit: mm)



### DETAILS OF INPUT WINDOW



Power cable with connector (HIROSE HR10A-7P-6S) is supplied with the H8259 series



TPHOA0027EB

TPMOC0167EA