

Photon counting unit is designed to convert single photoelectron pulses from a photomultiplier tube into 5 V digital signals by use of the built-in amplifier and discriminator circuits. Photon counting with a high S/N ratio can be performed by simply connecting a counter to the output of the photon counting unit.

The C9744 uses a high-speed electronic circuit that allows measurement with an excellent output linearity up to 10^7 s^{-1} . The C9744 also has a prescaler (division by 10) eliminating the need for a high-speed counter.



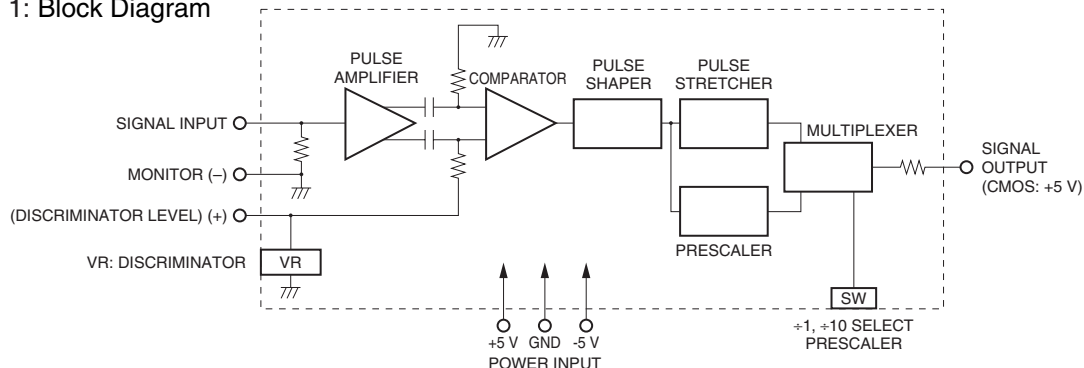
TACCF0195

SPECIFICATIONS

Parameter	C9744	Unit
Input Impedance	50	Ω
Discrimination Level (input conversion)	-0.4 to -16	mV
Required PMT Gain	Approx. 3×10^6	—
Prescaler	$\div 1$ $\div 10$	—
Count Linearity	$\div 1$	4×10^6
	$\div 10$	1×10^7
Pulse-pair Resolution	$\div 1$	25
	$\div 10$	10
Output Pulse	CMOS 5 V, POSITIVE LOGIC	—
Output Pulse Width	$\div 1$	10
	$\div 10$	Depends on count rate
Supply Voltage	+5.0 V \pm 0.2 V, 130 mA / -5.0 V \pm 0.2 V, 50 mA	—
Connector	Input	BNC-R
	Output	BNC-R
	Power	DIN (6-pin) [Ⓑ]
Dimensions (W \times H \times D)	90 \times 32 \times 140 (excluding rubber feet and projecting parts)	mm
Operating Ambient Temperature	0 to +50	$^{\circ}\text{C}$
Operating Ambient Humidity [Ⓐ]	Below 80	%
Storage Temperature	-15 to +60	$^{\circ}\text{C}$
Storage Humidity [Ⓐ]	Below 85	%
Weight	Approx. 250	g

NOTE: [Ⓐ]No condensation [Ⓑ]Supplied with a cable (1.5 m) attached to the mating plug.

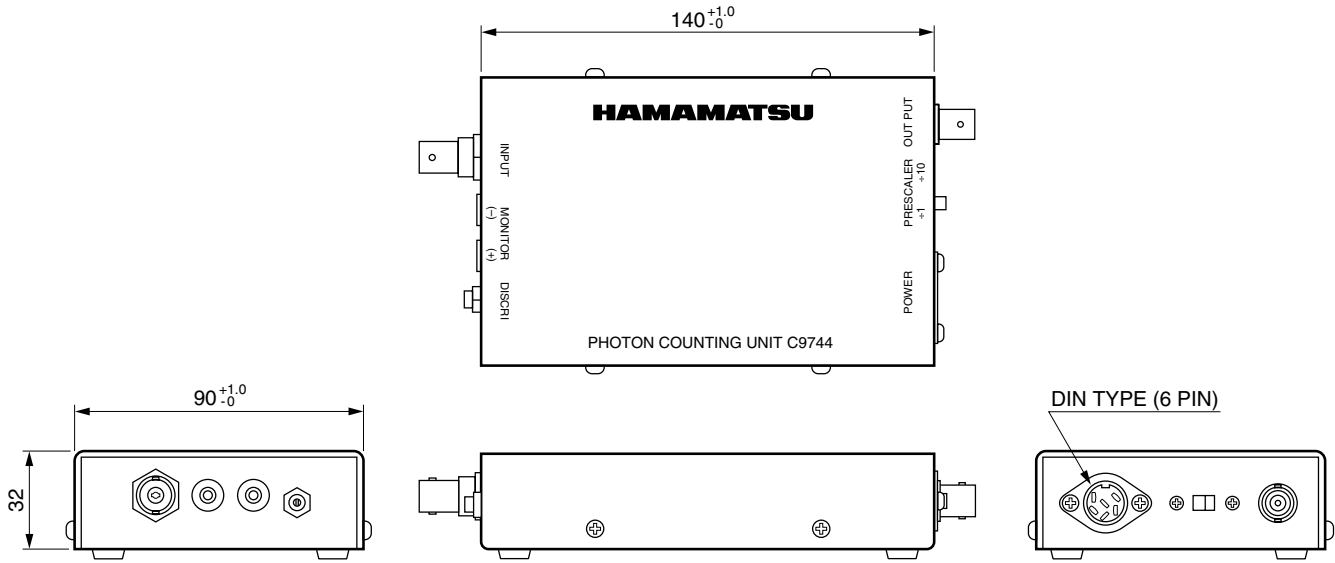
Figure 1: Block Diagram



TPH0C0056EA

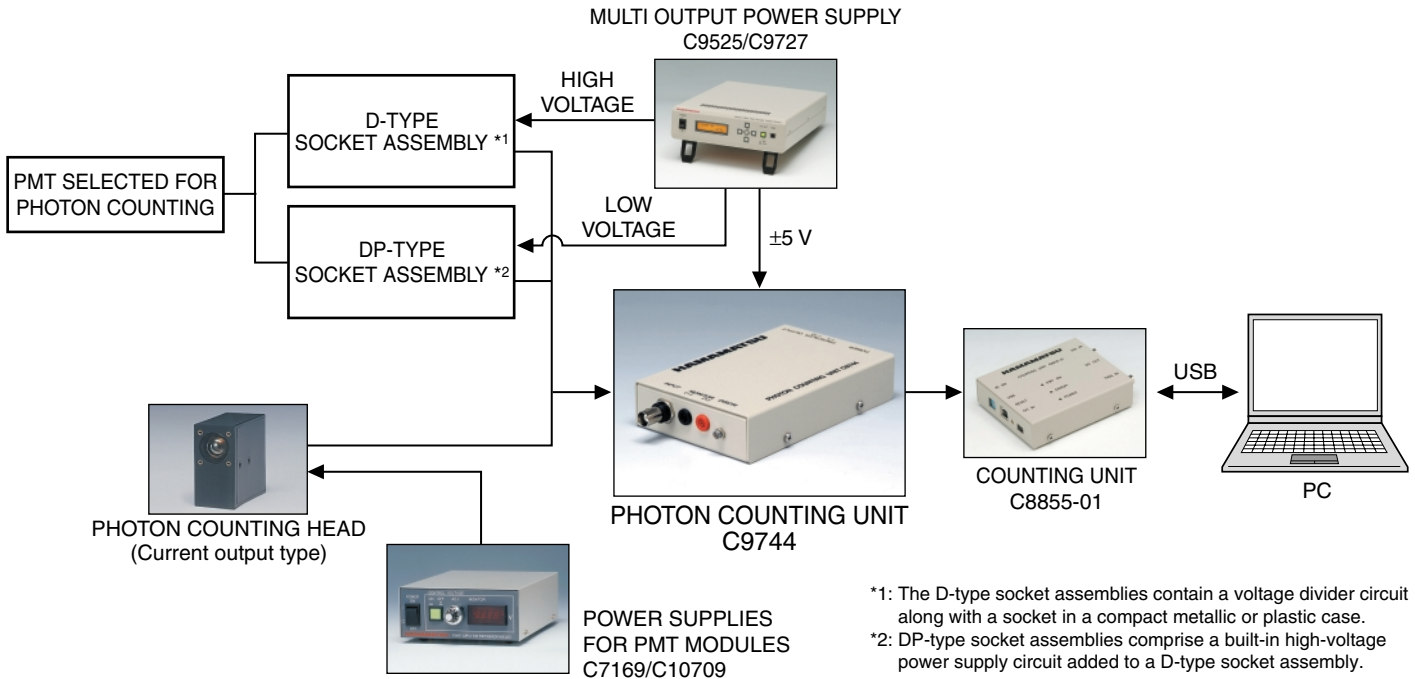
PHOTON COUNTING UNIT C9744

Figure 2: Dimensional Outline (Unit: mm)



TPHOA0031EA

Figure 3: Connection Example



HAMAMATSU PHOTONICS K.K. www.hamamatsu.com

HAMAMATSU PHOTONICS K.K., Electron Tube Division

314-5, Shimokanzo, Iwata City, Shizuoka Pref., 438-0193, Japan, Telephone: (81)539/62-5248, Fax: (81)539/62-2205

U.S.A.: Hamamatsu Corporation: 360 Foothill Road, P. O. Box 6910, Bridgewater, N.J. 08807-0910, U.S.A., Telephone: (1)908-231-0960, Fax: (1)908-231-1218 E-mail: usa@hamamatsu.com

Germany: Hamamatsu Photonics Deutschland GmbH: Arzbergerstr. 10, D-82211 Herrsching am Ammersee, Germany, Telephone: (49)8152-375-0, Fax: (49)8152-2658 E-mail: info@hamamatsu.de

France: Hamamatsu Photonics France S.A.R.L.: 19, Rue du Saule Trapu, Parc du Moulin de Massy, 91882 Massy Cedex, France, Telephone: (33)1 69 53 71 00, Fax: (33)1 69 53 71 10 E-mail: infos@hamamatsu.fr

United Kingdom: Hamamatsu Photonics UK Limited: 2 Howard Court, 10 Tewin Road Welwyn Garden City Hertfordshire AL7 1BW, United Kingdom, Telephone: 44-(0)1707-294888, Fax: 44(0)1707-325777 E-mail: info@hamamatsu.co.uk

North Europe: Hamamatsu Photonics Norden AB: Smidesvägen 12, SE-171-41 SOLNA, Sweden, Telephone: (46)8-509-031-00, Fax: (46)8-509-031-01 E-mail: info@hamamatsu.se

Italy: Hamamatsu Photonics Italia: S.R.L.: Strada della Moia, 1/E, 20020 Arese, (Milano), Italy, Telephone: (39)02-935 81 733, Fax: (39)02-935 81 741 E-mail: info@hamamatsu.it

China: HAMAMATSU PHOTONICS (CHINA) Co., Ltd.: 1201 Tower B, Jiaming Center, No.27 Dongsanhuan Beilu, Chaoyang District, Beijing 100020, China, Telephone: (86)10-6586-6006, Fax: (86)10-6586-2866 E-mail: hpc@hamamatsu.com.cn

TPHO1023E03

MAR. 2012 IP