

Accessories for infrared detectors



Temperature controllers

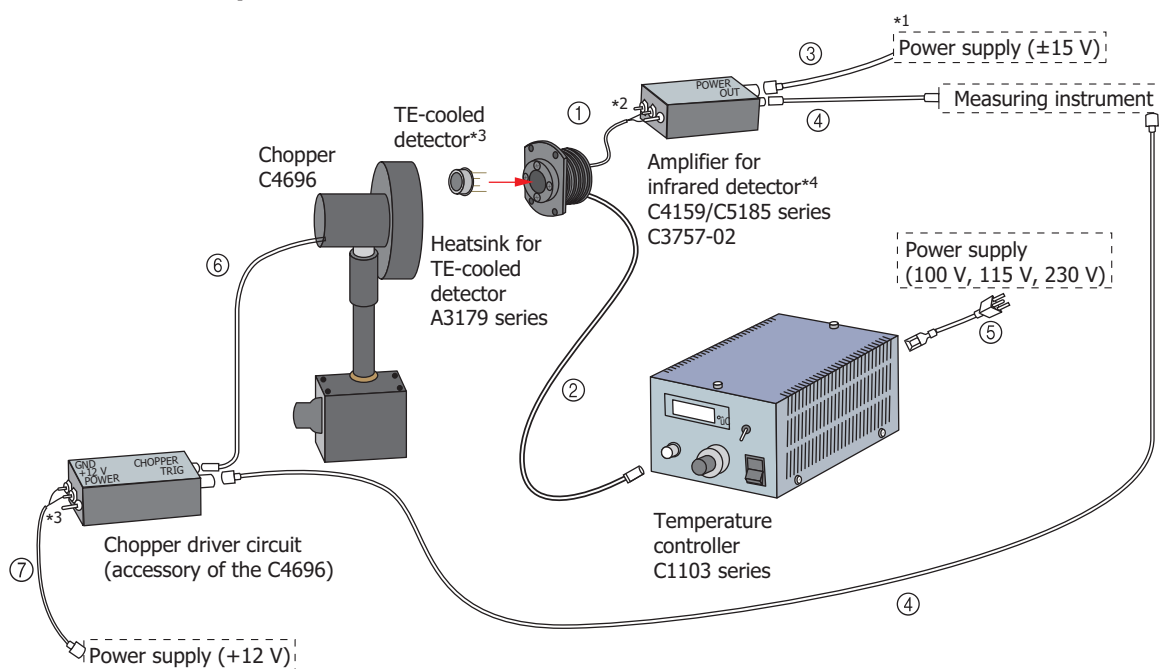
Heatsinks for TE-cooled detector

Chopper, etc.

Wide lineups of accessories for infrared detector

HAMAMATSU provides temperature controllers, heatsinks for TE-cooled detector, chopper and cables, etc as accessories for infrared detectors.

Connection example of accessories for infrared detectors



KACCC0321EC

*1: Attach the bare wire ends to a 3-pin or 4-pin connector or to a banana jack, and then connect them to the power supply.

*2: Soldering is needed. When using the C5185 series amplifier, a BNC connector (prepared by the user, example: one end of the E2573) is required.

*3: No socket is available. Soldering is needed.

*4: Refer to the datasheet "Amplifiers for infrared detectors" for detailed information.

Note: Refer to page 6 for details on cables.

Temperature controllers C1103 series

The C1103 series is a temperature controller designed for thermoelectrically cooled infrared detectors. The C1103 series allows easy but accurate temperature setting for the thermoelectric cooler mounted in an infrared detector.

Specifications

Parameter	C1103-04	C1103-05	C1103-07
Applicable detector*5	One-stage/two-stage TE-cooled type PbS, PbSe photoconductive detector, InAs photovoltaic detector, InGaAs, Si photodiode	Two-stage/three-stage TE-cooled type MCT, InSb photoconductive detector	One-stage TE-cooled type MCT, InSb photoconductive detector
Setting element temperature	-30 to +20 °C	-75 to -25 °C	-30 to +20 °C
Temperature stability	Within ±0.1 °C		
Output current for temperature control	1.1 A min., 1.2 A typ., 1.3 A max.		
Power supply	100 V ± 10 % · 50/60 Hz*6		
Power consumption	30 W		
Dimensions	107 (W) × 84 (H) × 190 (D) mm		
Weight	1.9 kg approx.		
Accessories	Instruction manual 4-conductor cable (with a connector, 3 m) A4372-05*7, power supply cable		

*5: It doesn't correspond to TE-cooled type infrared detector module with preamp.

*6: Please specify power supply requirement (AC line voltage) from among 100 V, 115 V and 230 V when ordering.

*7: When used in combination with an A3179 series heatsink, do not use the 4-conductor cable supplied with the A3179 series, but use the A4372-05 instead.

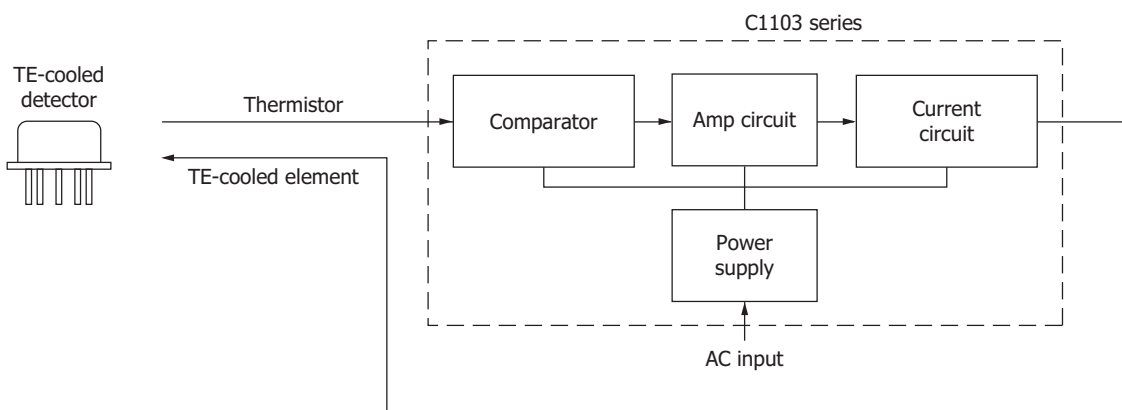
Absolute maximum ratings

Parameter	Value
Operating temperature	+10 to +40 °C
Operating humidity	90% Max.*8
Storage temperature	-20 to +40 °C

*8: No condensation

Note: Exceeding the absolute maximum ratings even momentarily may cause a drop in product quality. Always be sure to use the product within the absolute maximum ratings.

Block diagram



K1RDC0008EB



The C1103-04 and C1103-05 conform to European EMC directives EN 61326-1 Class B.

Heatsinks for TE-cooled detector (TO-8, TO-3 package) A3179 series

These heatsinks are designed for use with thermoelectrically cooled detector sealed in a 6-pin TO-8, TO-3 package. The cooling (heat dissipation) capacity of the A3179 and A3179-03 is about 35 °C relative to the ambient temperature 25 °C, the A3179-01 is about 40 °C, and that of the A3179-04 is about 85 °C. The A3179-03 is designed only for two-color detector K3413 series, the A3179, A3179-01 for TO-8, the A3179-04 for TO-3 (heatsink for TO-66 is available as a custom product.) .

Accessories

→ Instruction manual

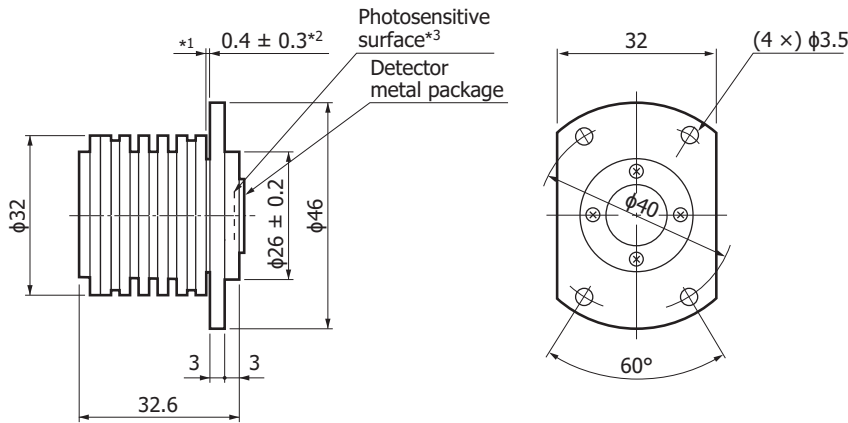
→ 4-conductor cable (2 m): for TE-cooler and thermistor*9, *10
Coaxial cable (2 m): for signal*10

*9: When used in combination with a C1103 series temperature controller, do not use the 4-conductor cable supplied with the A3179 series, but use the 4-conductor cable A4372-05 (sold separately, with a connector).

*10: No socket is supplied for connection to infrared detectors. Connect infrared detectors by soldering. Cover the soldered joints and detector pins with vinyl insulating tubes.

Dimensional outlines (unit: mm, tolerance unless otherwise noted: ±0.3)

A3179



Weight: 50 g approx.

*1: Bottom surface (reference surface) of detector metal package

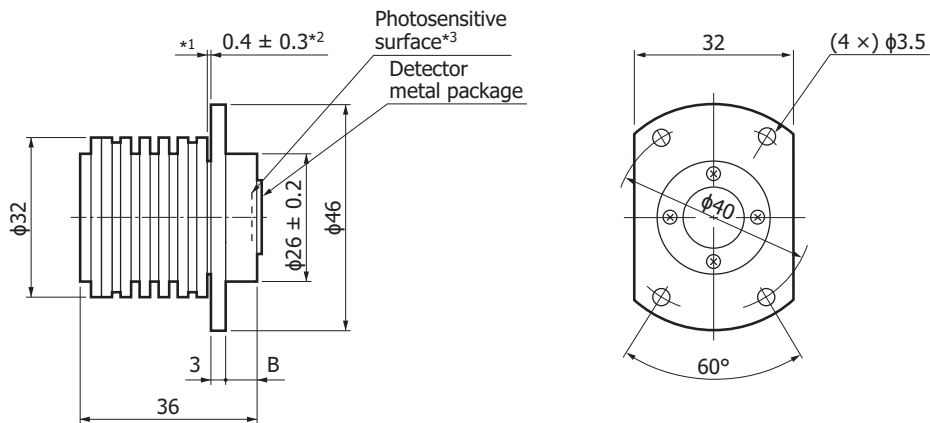
*2: When the detector is installed

*3: The position of the photosensitive surface differs according to the detector used.

Refer to the dimensional outline for the detector.

KIRDA0018ED

A3179-01, A3179-03

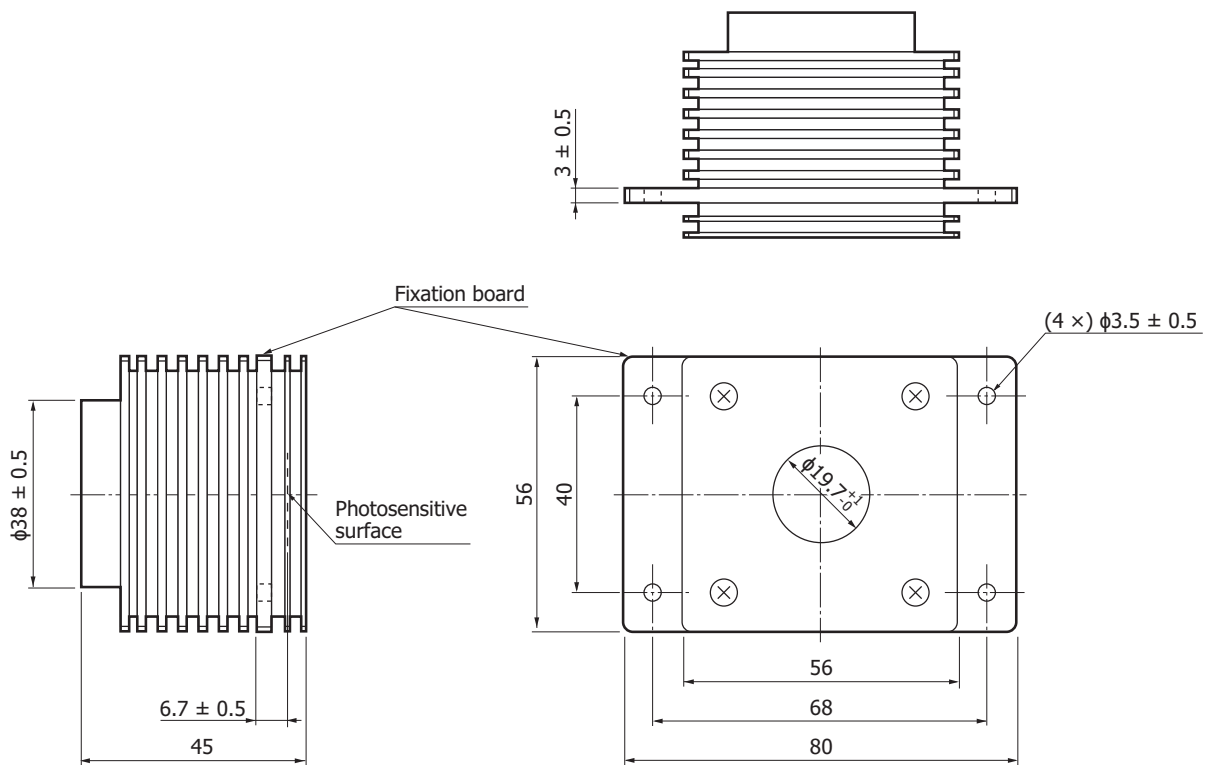


A3179-01: B=6
A3179-03: B=6.4
Weight: 53 g approx.

- *1: Bottom surface (reference surface) of detector metal package
- *2: When detector is installed
- *3: The position of the photosensitive surface differs according to the detector used.
Refer to the dimensional outline for the detector.

KIRDA0019ED

A3179-04



Weight: 320 g approx.

KIRDA0149EB

Chopper C4696

Specifications

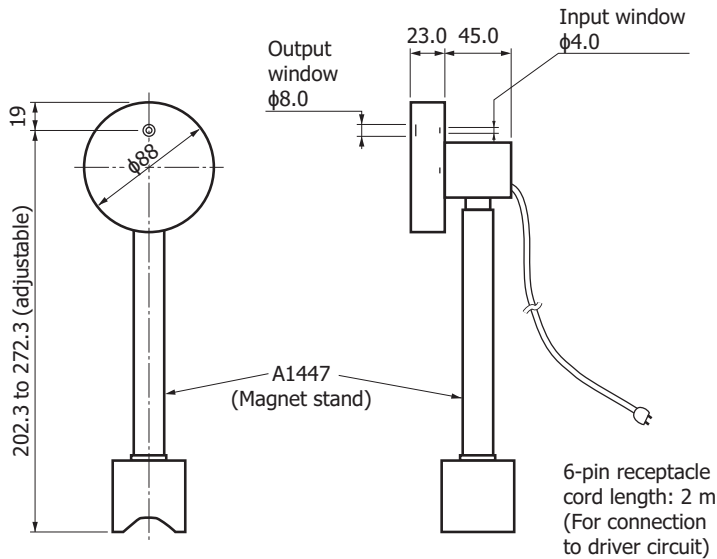
Parameter	Specification	
Chopping frequency*11	115 to 380 Hz, 345 Hz typ.*12	
Power supply (V _D)	DC 5 to 13 V, 12 V typ.	
Duty ratio	1 : 1	
Rotational stability	0.06 %/°C	
Synchronous signal (high level)	Min.	V _D - 0.5 V
	Max.	V _D - 0.2 V
Operating temperature	0 to 50 °C	
Maximum current consumption*12	90 mA	
Accessory	Magnet stand A1447	

*11: Chopping frequency will be 230 to 760 Hz when an optional disc is used.

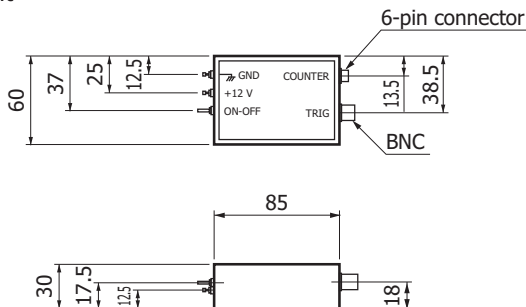
*12: V_D=12 V

Dimensional outline (unit: mm, tolerance unless otherwise noted: ±1)

<Chopper>

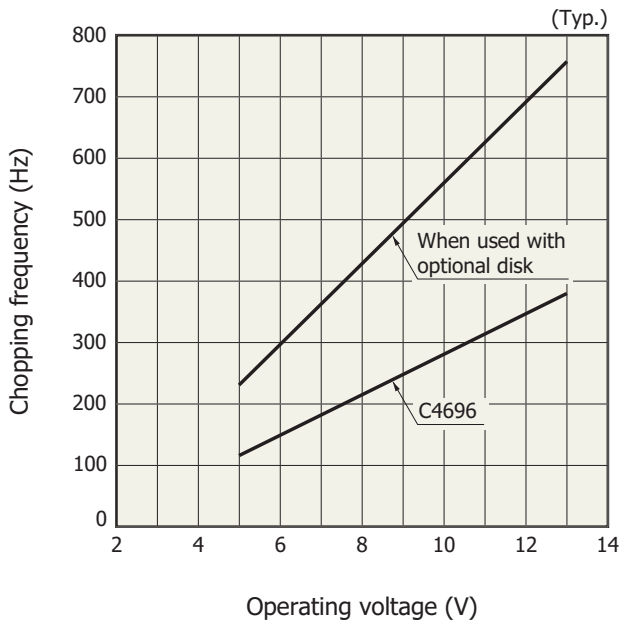


<Driver circuit>



KIRDA0022EA

❏ Chopping frequency vs. operating voltage



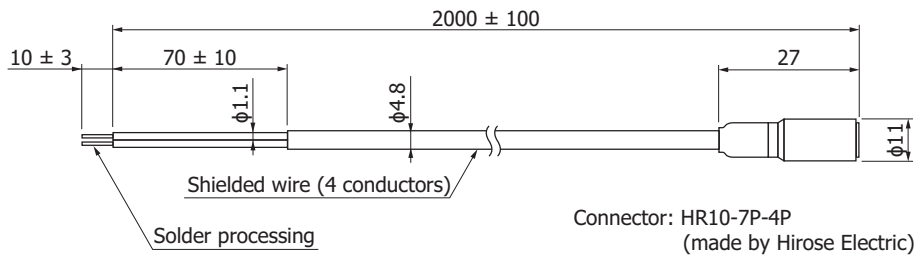
KIRD80376EA

Cables A4372 series

Cable No.	Cable	Length approx.	Note
①	Coaxial cable (for signal)	2 m	Supplied with heatsink A3179 series. When using this cable, make it as short as possible (preferably about 10 cm).
②	4-conductor cable (with a connector) A4372-05	3 m	Supplied with temperature controller C1103 series. This cable is also sold separately.
③	4-conductor cable (with a connector) A4372-02	2 m	This cable is supplied with the C4159/C5185 series amplifiers for infrared detectors, C3757-02, and infrared detector modules with preamp (room temperature operation type). This cable is also sold separately. Besides this cable, the A4372-03, which is a 6-conductor cable (with connector) supplied with "infrared detector module with preamp", is also sold separately.
④	BNC connector cable E2573	1 m	Option
⑤	Power supply cable (for temperature controller)	1.9 m	Supplied with temperature controller C1103 series
⑥	Chopper driver cable (connected to chopper)	2 m	Connected to chopper
⑦	2-conductor cable or coaxial cable (for chopper power supply)	2 m or less	Prepared by user

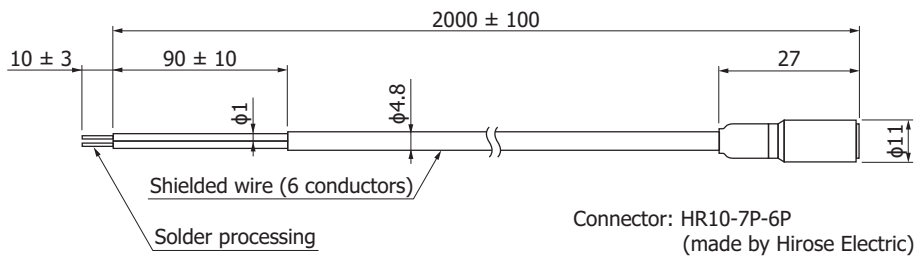
Dimensional outlines (unit: mm)

A4372-02



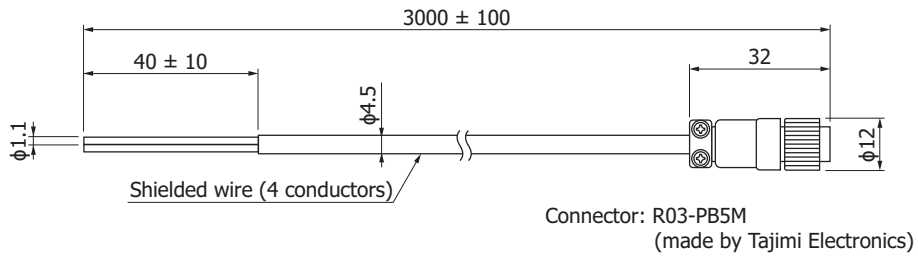
KIRDA0196EA

A4372-03



KIRDA0197EA

A4372-05

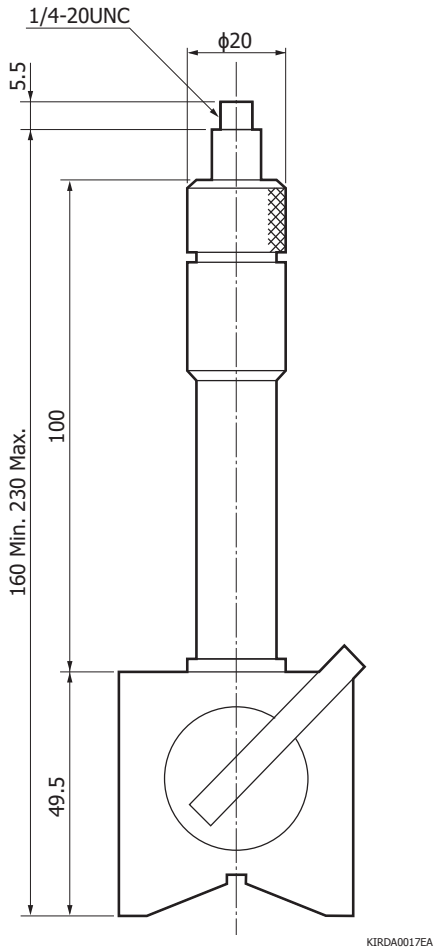


KIRDA0198EA

Magnet stand A1447

This is a magnet stand (sold separately) designed for the B749 photon drag detector.

❑ Dimensional outline (unit: mm, tolerance unless otherwise noted: ±1)

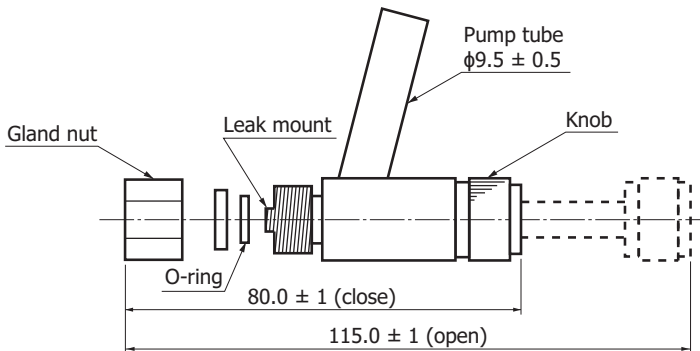


Valve operator for metal dewar A3515

With this valve operator, metal dewars can be re-evacuated to maintain the desired vacuum level. Refer to the instruction manual for details. Please be aware that the detector performance is not guaranteed after re-evacuation is performed with the valve operator.



Dimensional outline (unit: mm)



KIRDA0021EC

Related information

www.hamamatsu.com/sp/ssd/doc_en.html

■ Precautions

- Notice

■ Technical information

- Infrared detector / Technical information

Information described in this material is current as of August, 2014.

Product specifications are subject to change without prior notice due to improvements or other reasons. This document has been carefully prepared and the information contained is believed to be accurate. In rare cases, however, there may be inaccuracies such as text errors. Before using these products, always contact us for the delivery specification sheet to check the latest specifications.

Type numbers of products listed in the delivery specification sheets or supplied as samples may have a suffix "(X)" which means preliminary specifications or a suffix "(Z)" which means developmental specifications.

The product warranty is valid for one year after delivery and is limited to product repair or replacement for defects discovered and reported to us within that one year period. However, even if within the warranty period we accept absolutely no liability for any loss caused by natural disasters or improper product use.

Copying or reprinting the contents described in this material in whole or in part is prohibited without our prior permission.

HAMAMATSU

www.hamamatsu.com

HAMAMATSU PHOTONICS K.K., Solid State Division

1126-1 Ichino-cho, Higashi-ku, Hamamatsu City, 435-8558 Japan, Telephone: (81) 53-434-3311, Fax: (81) 53-434-5184

U.S.A.: Hamamatsu Corporation: 360 Foothill Road, Bridgewater, N.J. 08807, U.S.A., Telephone: (1) 908-231-0960, Fax: (1) 908-231-1218

Germany: Hamamatsu Photonics Deutschland GmbH: Arzbergerstr. 10, D-82211 Herrsching am Ammersee, Germany, Telephone: (49) 8152-375-0, Fax: (49) 8152-265-8

France: Hamamatsu Photonics France S.A.R.L.: 19, Rue du Saule Trapu, Parc du Moulin de Massy, 91882 Massy Cedex, France, Telephone: 33-(1) 69 53 71 00, Fax: 33-(1) 69 53 71 10

United Kingdom: Hamamatsu Photonics UK Limited: 2 Howard Court, 10 Tewin Road, Welwyn Garden City, Hertfordshire AL7 1BW, United Kingdom, Telephone: (44) 1707-294888, Fax: (44) 1707-325777

North Europe: Hamamatsu Photonics Norden AB: Torshamnsgatan 35 16440 Kista, Sweden, Telephone: (46) 8-509-031-00, Fax: (46) 8-509-031-01

Italy: Hamamatsu Photonics Italia S.r.l.: Strada della Moia, 1 int. 6, 20020 Arese (Milano), Italy, Telephone: (39) 02-93581733, Fax: (39) 02-93581741

China: Hamamatsu Photonics (China) Co., Ltd.: B1201, Jiaming Center, No.27 Dongsanhuan Beilu, Chaoyang District, Beijing 100020, China, Telephone: (86) 10-6586-6006, Fax: (86) 10-6586-2866