




Description

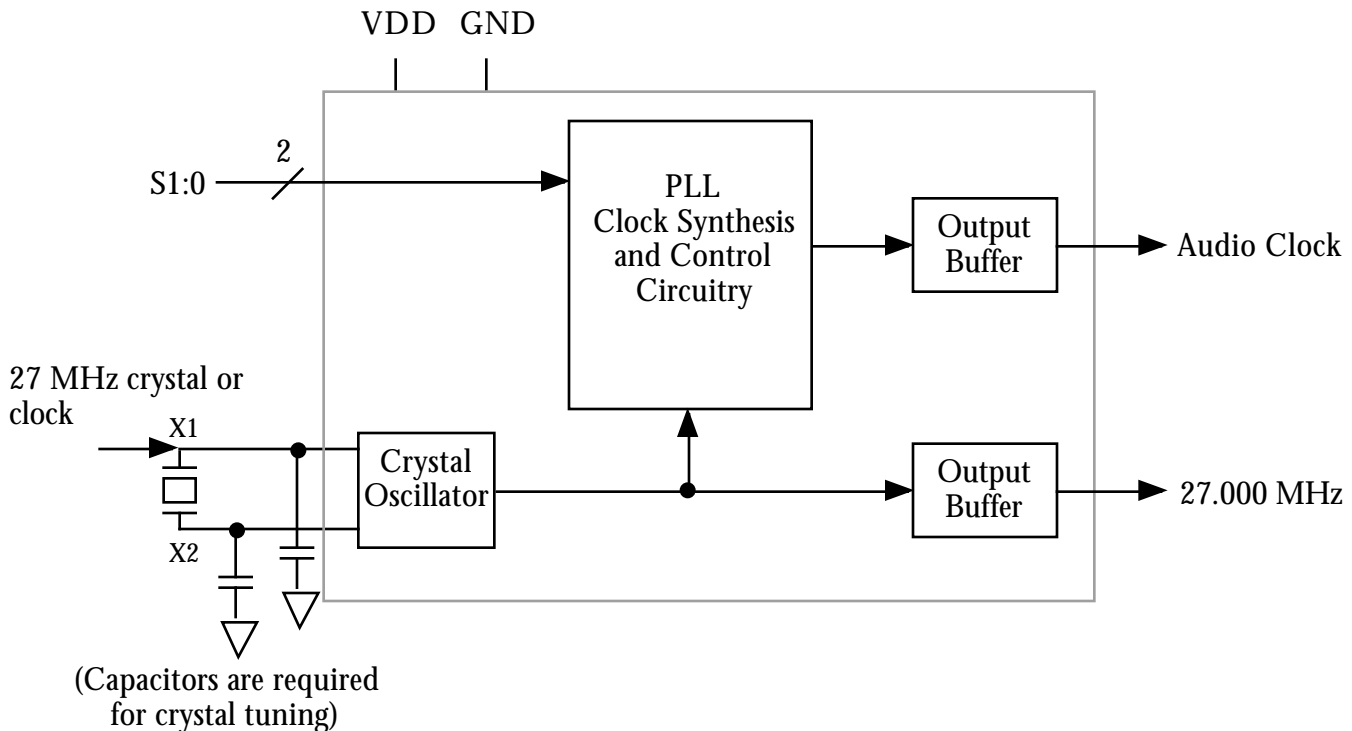
The MK2703 is a low cost, low jitter, high performance PLL clock synthesizer designed to replace oscillators and PLL circuits in set-top box and multimedia systems. Using our patented analog Phase-Locked Loop (PLL) techniques, the device uses a 27 MHz crystal or clock input to produce a buffered reference clock and a selectable audio clock.

MicroClock manufactures the largest variety of Set-Top Box and multimedia clock synthesizers for all applications. Consult MicroClock to eliminate VCXOs, crystals and oscillators from your board.

Features

- Packaged in 8 pin SOIC 
- Uses an inexpensive fundamental crystal, or clock
- Supports MPEG sampling rates of 32 kHz, 44.1 kHz, 48 kHz and 96 kHz
- Patented zero ppm synthesis error in all clocks
- All frequencies are frequency locked
- 25 mA output drive capability at TTL levels
- Advanced, low power, sub-micron CMOS process
- 3.3 V or 5 V operating voltage
- For audio clocks that require lower jitter, use the MK2731-03C
- Industrial temperature version available

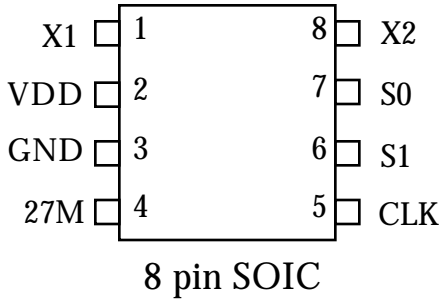
Block Diagram





Pin Assignment

MK2703



Audio Clock Output Select Table (MHz)

S1	S0	CLK
0	0	8.192
0	1	11.2896
1	0	12.288
1	1	24.576

Key: 0 = connect pin directly to ground
 1 = connect pin directly to VDD

Pin Descriptions

Number	Name	Type	Description
1	X1	XI	Crystal Connection. Connect to a 27.0 MHz fundamental crystal or clock.
2	VDD	P	Connect to +3.3V or +5V.
3	GND	P	Connect to ground.
4	27M	O	27.00 MHz buffered reference clock output.
5	CLK	O	Audio Clock Output per table above.
6	S1	I(PU)	Audio Clock Frequency Select Input #1. Determines CLK output per table above.
7	S0	I(PU)	Audio Clock Frequency Select Input #0. Determines CLK output per table above.
8	X2	XO	Crystal Connection to a 27.0 MHz crystal, or leave unconnected for clock input.

Key: XI, XO = Crystal connections; I(PU)= Input with internal pull-up resistor; O = output;
 P = power supply connection

**Electrical Specifications**

Parameter	Conditions	Minimum	Typical	Maximum	Units
ABSOLUTE MAXIMUM RATINGS (note 1)					
Supply voltage, VDD	Referenced to GND			7	V
Inputs and Clock Outputs	Referenced to GND	-0.5		VDD+0.5	V
Ambient Operating Temperature	MK2703S	0		70	°C
	MK2703SI	-40		85	°C
Soldering Temperature	Max of 10 seconds			260	°C
Storage temperature		-65		150	°C
DC CHARACTERISTICS (VDD = 3.3 V unless noted)					
Operating Voltage, VDD		3.13		5.50	V
Input High Voltage, VIH, X1 pin only		(VDD/2)+1	VDD/2		V
Input Low Voltage, VIL, X1 pin only			VDD/2	(VDD/2)-1	V
Input High Voltage, VIH		2			V
Input Low Voltage, VIL				0.8	V
Output High Voltage, VOH	IOH=-12mA	2.4			V
Output Low Voltage, VOL	IOL=12mA			0.4	V
Output High Voltage, VOH, CMOS level	IOH=-4mA	VDD-0.4			V
Operating Supply Current, IDD	No Load		25		mA
Short Circuit Current	Each output		±50		mA
Input Capacitance	S1, S0		5		pF
Frequency synthesis error	All clocks			0	ppm
AC CHARACTERISTICS (VDD = 3.3 V unless noted)					
Input Crystal Frequency			27.00		MHz
Input Crystal Accuracy				±30	ppm
Output Clock Rise Time	0.8 to 2.0V			1.5	ns
Output Clock Fall Time	2.0 to 0.8V			1.5	ns
Output Clock Duty Cycle	At VDD/2	40		60	%
Maximum Absolute Jitter, short term			±190		ps

Notes: 1. Stresses beyond those listed under Absolute Maximum Ratings could cause permanent damage to the device. Prolonged exposure to levels above the operating limits but below the Absolute Maximums may affect device reliability.

External Components

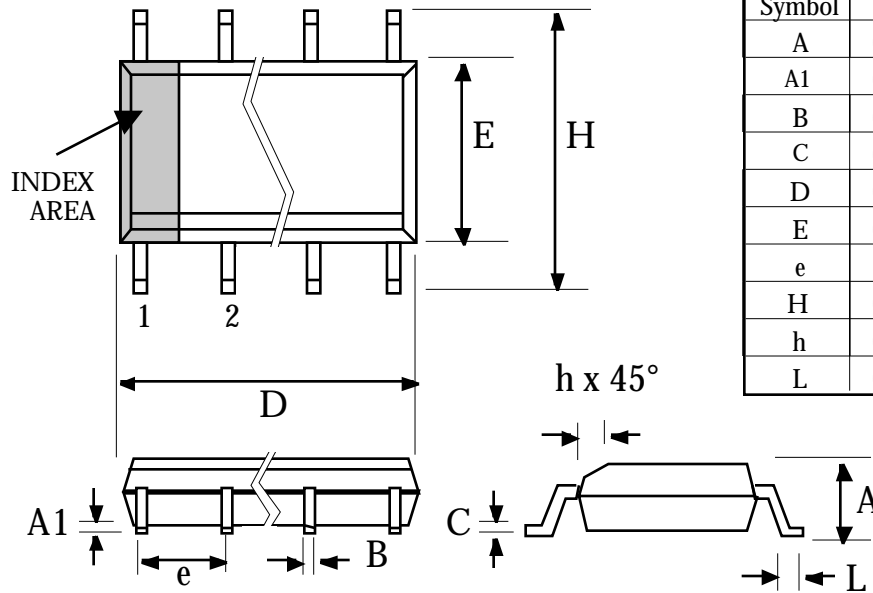
The MK2703 requires a minimum number of external components for proper operation. For a crystal input, one load capacitor should be connected from each of the X1 and X2 pins to ground. The value (in pF) of each crystal load capacitor should equal $(C_L - 16) \cdot 2$, where C_L is the crystal's load (correlation) capacitance in pF. The input crystal must be connected as close to the chip as possible. The input crystal should be a parallel resonant, fundamental, AT cut 27 MHz. For a clock input, connect to X1 and leave X2 unconnected. Decoupling capacitors of 0.01µF should be connected between VDD and GND on pins 2 and 3, as close to the MK2703 as possible. A series termination resistor of 33 Ω may be used for the clock output.



Package Outline and Package Dimensions

(For current dimensional specifications, see JEDEC Publication No. 95.)

8 pin SOIC



Symbol	Inches		Millimeters	
	Min	Max	Min	Max
A	0.0532	0.0688	1.35	1.75
A1	0.0040	0.0098	0.10	0.24
B	0.0130	0.0200	0.33	0.51
C	0.0075	0.0098	0.19	0.24
D	0.1890	0.1968	4.80	5.00
E	0.1497	0.1574	3.80	4.00
e	.050 BSC		1.27 BSC	
H	0.2284	0.2440	5.80	6.20
h	0.0099	0.0195	0.25	0.50
L	0.0160	0.0500	0.41	1.27

Ordering Information

Part/Order Number	Marking	Shipping packaging	Package	Temperature
MK2703S	MK2703S	tubes	8 pin SOIC	0 to 70°C
MK2703STR	MK2703S	tape and reel	8 pin SOIC	0 to 70°C
MK2703SI	MK2703I	tubes	8 pin SOIC	-40 to 85°C
MK2703SITR	MK2703I	tape and reel	8 pin SOIC	-40 to 85°C

While the information presented herein has been checked for both accuracy and reliability, Integrated Circuit Systems, Inc. (ICS) assumes no responsibility for either its use or for the infringement of any patents or other rights of third parties, which would result from its use. No other circuits, patents, or licenses are implied. This product is intended for use in normal commercial applications. Any other applications such as those requiring extended temperature range, high reliability, or other extraordinary environmental requirements are not recommended without additional processing by ICS. ICS reserves the right to change any circuitry or specifications without notice. ICS does not authorize or warrant any ICS product for use in life support devices or critical medical instruments.