

TOSHIBA CCD Linear Image Sensor Silicon Monolithic  
 CCD (charge coupled device)

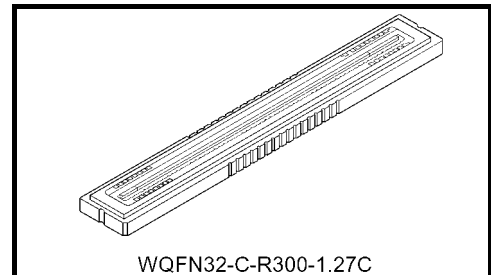
# TCD2964BFG

The TCD2964BFG is a high sensitive and low dark current 21360 elements × 6 line CCD color image sensor. The sensor is designed for scanner.

The device contains a row of 21360 elements × 6 line staggered photodiodes which provide a 192 lines/mm (4800DPI) across a A4 size paper. The device is operated by 5 V pulse and 12 V power supply.

## Features

- Number of Image Sensing Elements: 21360 elements × 6 line
- Image Sensing Element Size: 2 μm by 4 μm on 2 μm centers
- Photo Sensing Region: High sensitive and low dark current PN photodiode
- Distance between Photodiode Array: 64 μm (32 lines), Red line-Green line, Green line-Blue line  
6 μm (3 lines), Odd line-Even-line
- Clock: 2 phase (5 V)
- Power Supply: 12 V Power Supply Voltage
- Package: 32pin CLCC package
- Color Filter: Red, Green, Blue
- Overflow drain for antiblooming



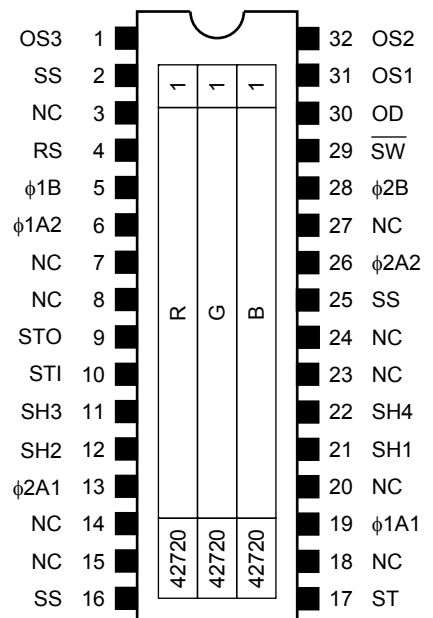
Weight: 3.2 g (typ.)

## ABSOLUTE MAXIMUM RATINGS (Note 1)

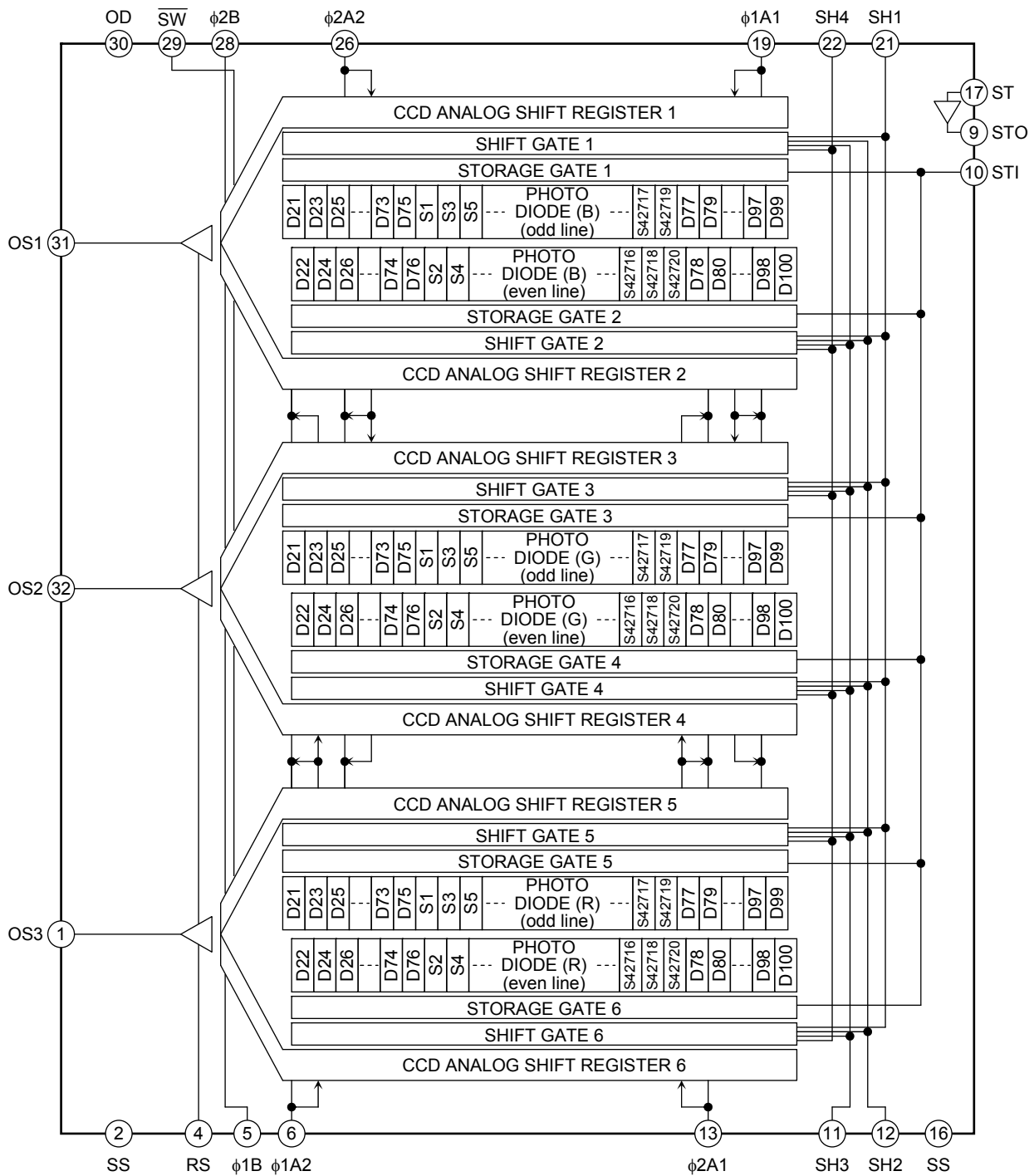
Characteristics	Symbol	Rating	Unit
Clock pulse voltage	$V_{\phi}$	-0.3~8.0	V
Storage pulse voltage	$V_{ST}$		V
Shift pulse voltage	$V_{SH}$		V
Reset pulse voltage	$V_{RS}$		V
Switch pulse voltage	$V_{SW}$		V
Storage pulse input voltage	$V_{STI}$		-3~15
Power supply voltage	$V_{OD}$	-0.3~15	V
Operating temperature	$T_{opr}$	0~60	°C
Storage temperature	$T_{stg}$	-25~85	°C

Note 1: All voltage are with respect to SS terminals (ground).  
 None of the ABSOLUTE MAXIMUM RATINGS must be exceeded, even instantaneously.  
 If any one of the ABSOLUTE MAXIMUM RATINGS is exceeded, the electrical characteristics, reliability and life time of the device cannot be guaranteed.  
 If the ABSOLUTE MAXIMUM RATINGS are exceeded, the device can be permanently damaged or degraded.  
 Create a system design in such a manner that any of the ABSOLUTE MAXIMUM RATINGS will not be exceeded under any circumstances.

## Pin Connections (top view)



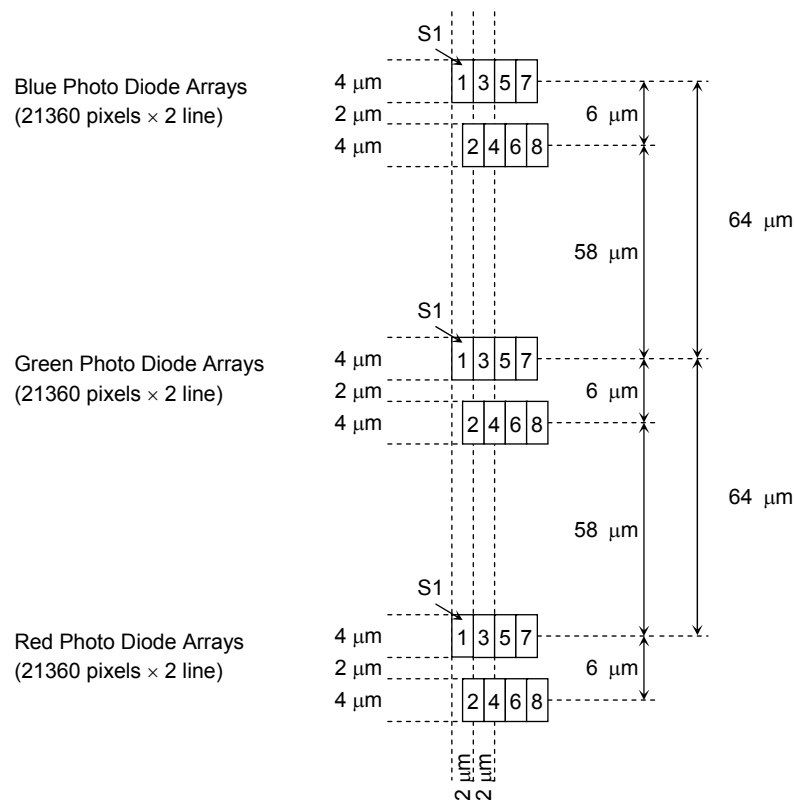
## Circuit Diagram



## Pin Names

Pin No.	Symbol	Name	Pin No.	Symbol	Name
1	OS3	Signal output 3 (red)	32	OS2	Signal output 2 (green)
2	SS	Ground	31	OS1	Signal output 1 (blue)
3	NC	Non connection	30	OD	Power
4	RS	Reset gate	29	$\overline{SW}$	Switch gate
5	$\phi_{1B}$	Final stage clock (phase 1)	28	$\phi_{2B}$	Final stage clock (phase 2)
6	$\phi_{1A2}$	Clock 2 (phase 1)	27	NC	Non connection
7	NC	Non connection	26	$\phi_{2A2}$	Clock 2 (phase 2)
8	NC	Non connection	25	SS	Ground
9	STO	Storage pulse output	24	NC	Non connection
10	STI	Storage pulse input	23	NC	Non connection
11	SH3	Shift gate 3	22	SH4	Shift gate 4
12	SH2	Shift gate 2	21	SH1	Shift gate 1
13	$\phi_{2A1}$	Clock 1 (phase 2)	20	NC	Non connection
14	NC	Non connection	19	$\phi_{1A1}$	Clock 1 (phase 1)
15	NC	Non connection	18	NC	Non connection
16	SS	Ground	17	ST	Storage gate

## Arrangement of the 1st Effective Pixel (S1)



## Optical/Electrical Characteristics

( $T_a = 25^\circ\text{C}$ ,  $V_{OD} = 12\text{ V}$ ,  $V_\phi = V_{RS} = 5\text{ V}$  (pulse),  $V_{ST} = V_{SH} = 3.3\text{ V}$  (pulse),  $f_\phi = 1\text{ MHz}$ ,  $f_{RS} = 2\text{ MHz}$ ,  $t_{INT} = 22\text{ ms}$ , LIGHT SOURCE = A LIGHT SOURCE + CM500S FILTER ( $t = 1\text{ mm}$ ), LOAD RESISTANCE = 100 k $\Omega$ )

Characteristics		Symbol	Min	Typ.	Max	Unit	Note
Sensitivity	Red	$R_{(R)}$	0.9	1.3	1.7	V/lx·s	(Note 2)
	Green	$R_{(G)}$	1.0	1.5	2.0		
	Blue	$R_{(B)}$	0.4	0.7	1.0		
Photo response non uniformity		PRNU (1)	—	10	20	%	(Note 3)
		PRNU (3)	—	3	12	mV	(Note 4)
Register imbalance		RI	—	1	3	%	(Note 5)
Saturation output voltage		$V_{SAT}$	2.4	2.8	—	V	(Note 6)
Saturation exposure		SE	—	1.87	—	lx·s	(Note 7)
Dark signal voltage		$V_{DRK}$	—	0.6	2.7	mV	(Note 8)
Dark signal non uniformity		DSNU	—	6.6	9.2	mV	(Note 8)
DC power dissipation		$P_D$	—	360	470	mW	—
Total transfer efficiency		TTE	92	98	—	%	—
Output impedance		$Z_O$	—	0.2	0.5	k $\Omega$	—
DC output voltage		$V_{OS}$	4.8	5.8	6.8	V	(Note 9)
Reset noise		$V_{RSN}$	—	0.4	1.0	V	(Note 9)
Random noise		$ND_\sigma$	—	0.7	—	mV	(Note 10)

Note 2: Sensitivity is defined for each color of signal outputs average when the photosensitive surface is applied with the light of uniform illumination and uniform color temperature.

Note 3: PRNU (1) is defined for each color on a single chip by the expressions below when the photosensitive surface is applied with the light of uniform illumination and uniform color temperature.

$$PRNU (1) = \frac{\Delta x}{\bar{x}} \times 100 (\%)$$

Where  $\bar{x}$  is average of total signal output and  $\Delta x$  is the maximum deviation from  $\bar{x}$ . The amount of incident light is shown below.

$$\text{Red} = 1/2 \cdot SE$$

$$\text{Green} = 1/2 \cdot SE$$

$$\text{Blue} = 1/4 \cdot SE$$

Note 4: PRNU (3) is defined as maximum voltage with next pixels, where measured at 5% of SE (typ.).

Note 5: Register imbalance is defined as follows.

$$RI = \frac{\sum_{n=1}^{42719} |x_n - x_{(n+1)}|}{42719 \times \bar{x}} \times 100 (\%)$$

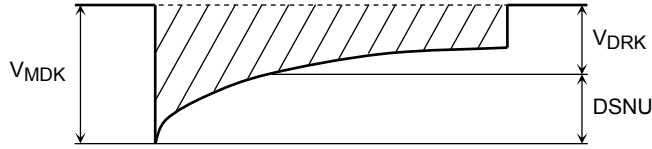
Note 6:  $V_{SAT}$  is defined as minimum saturation output of all effective pixels.

Note 7: Definition of SE

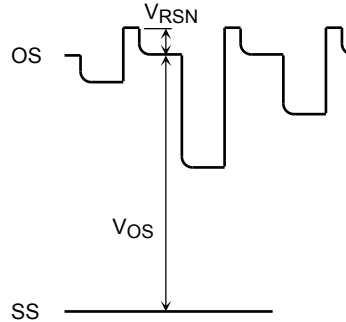
$$SE = \frac{V_{SAT}}{R_G} (lx \cdot s)$$

Note 8:  $V_{DRK}$  and  $DSNU$  are defined at  $t_{INT} = 14.55ms$ .

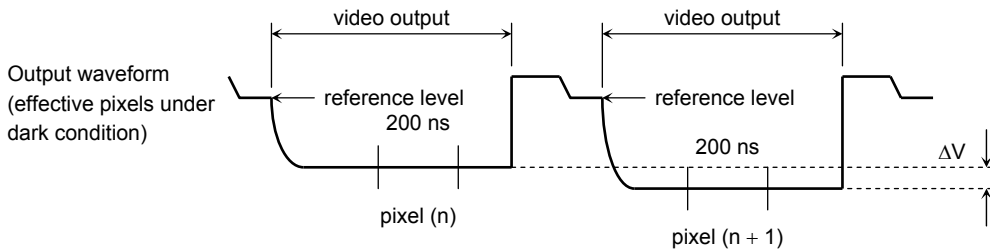
$V_{DRK}$  is defined as average dark signal voltage of all effective pixels.  $DSNU$  is defined as different voltage between  $V_{DRK}$  and  $V_{MDK}$  when  $V_{MDK}$  is maximum dark signal voltage.



Note 9: DC signal output voltage is defined as follows. Reset noise voltage is defined as follows.



Note 10: Random noise is defined as the standard deviation (sigma) of the output level difference between two adjacent effective pixels under no illumination (i.e. dark conditions) calculated by the following procedure.



- (1) Two adjacent pixels (pixel n and n + 1) after reference level clamp in one reading are fixed as measurement points.
- (2) Each of the output level at video output periods averaged over 200 ns period to get  $V(n)$  and  $V(n + 1)$ .
- (3)  $V(n + 1)$  is subtracted from  $V(n)$  to get  $\Delta V$ .

$$\Delta V = V(n) - V(n + 1)$$

- (4) The standard deviation of  $\Delta V$  is calculated after procedure (2) and (3) are repeated 30 times (30 readings).

$$\Delta V = \frac{1}{30} \sum_{i=1}^{30} |\Delta V_i| \qquad \sigma = \sqrt{\frac{1}{30} \sum_{i=1}^{30} (|\Delta V_i| - \overline{\Delta V})^2}$$

- (5) Procedure (2), (3) and (4) are repeated 10 times to get sigma value.
- (6) 10 sigma values are averaged.

$$\bar{\sigma} = \frac{1}{10} \sum_{j=1}^{10} \sigma_j$$

- (7)  $\bar{\sigma}$  value calculated using the above procedure is observed  $\sqrt{2}$  times larger than that measured relative to the ground level. So we specify random noise as follows.

$$ND\sigma = \frac{1}{\sqrt{2}} \bar{\sigma}$$

## Operating Condition

For best performance, the device should be used within the Recommended Operating Conditions.

Characteristics		Symbol	Min	Typ.	Max	Unit
Clock pulse voltage	"H" level	$V_{\phi A}$	4.5	5.0	5.5	V
	"L" level		0	0	0.3	
Final stage clock pulse voltage	"H" level	$V_{\phi B}$	4.5	5.0	5.5	V
	"L" level		0	0	0.3	
Storage pulse voltage	"H" level	$V_{ST}$	2.7	3.3	5.5	V
	"L" level		0	0	0.8	
Shift pulse voltage	"H" level	$V_{SH}$	2.7	3.3	5.5	V
	"L" level		0	0	0.8	
Reset pulse voltage	"H" level	$V_{RS}$	4.5	5.0	5.5	V
	"L" level		0	0	0.5	
Switch pulse voltage	"H" level	$\overline{V_{SW}}$	2.7	3.3	5.5	V
	"L" level		0	0	0.8	
Power supply voltage		$V_{OD}$	11.4	12.0	12.6	V

## Clock Characteristics (Ta = 25°C)

For best performance, the device should be used within the Recommended Operating Conditions.

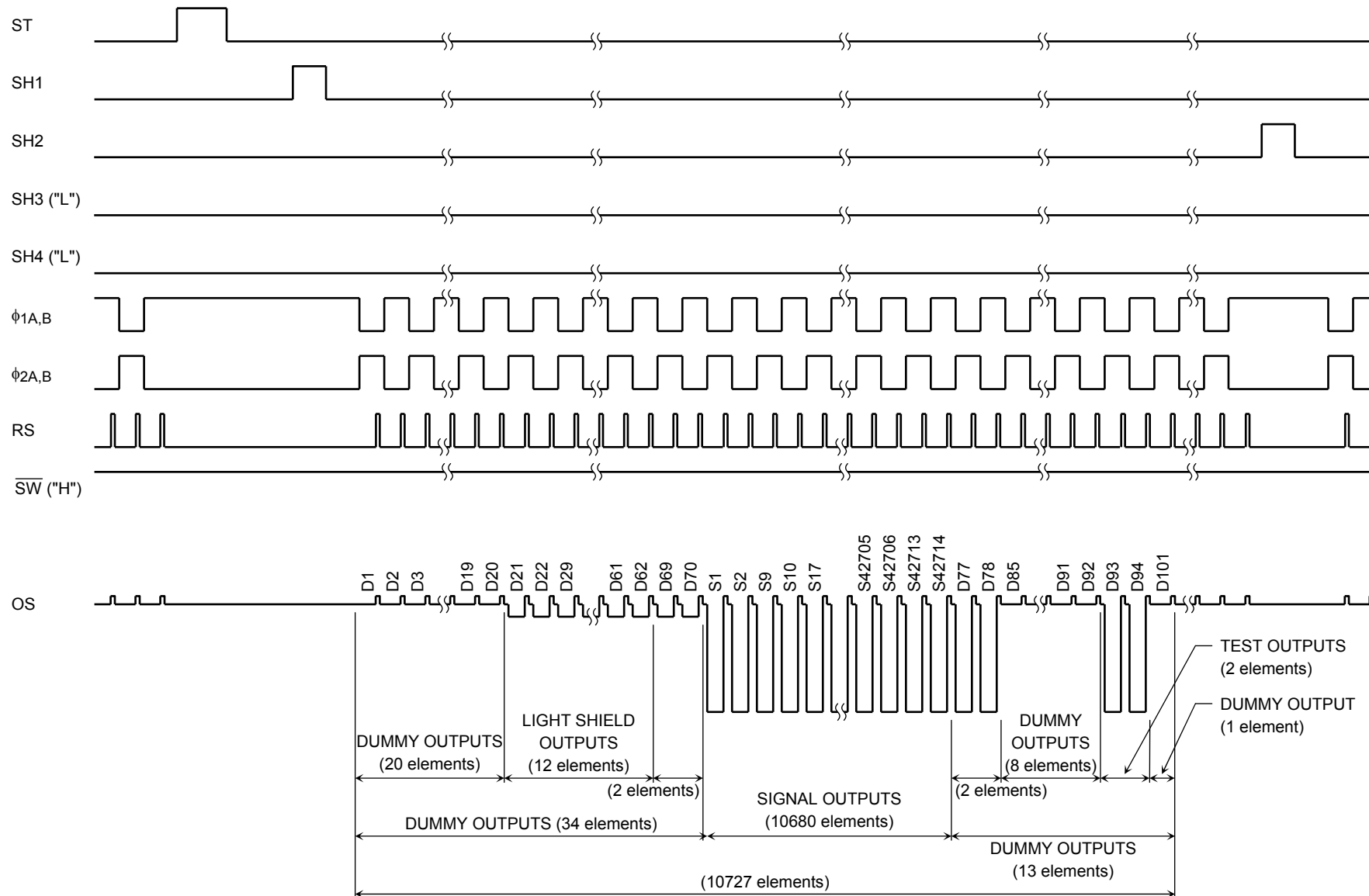
Characteristics	Symbol	Min	Typ.	Max	Unit
Clock pulse frequency	$f_{\phi}$	0.15	1.0	11.0	MHz
Reset pulse frequency	$f_{RS}$	0.3	2.0	10.0	MHz
Clock capacitance (Note 11)	$C_{\phi A}$	—	225	—	pF
Final Stage Clock capacitance	$C_{\phi B}$	—	10	—	pF
Storage gate capacitance	$C_{ST}$	—	30	—	pF
Shift gate capacitance	$C_{SH}$	—	30	—	pF
Reset gate capacitance	$C_{RS}$	—	20	—	pF
Switch gate capacitance	$\overline{C_{SW}}$	—	10	—	pF

Note 11:  $V_{OD} = 12\text{ V}$

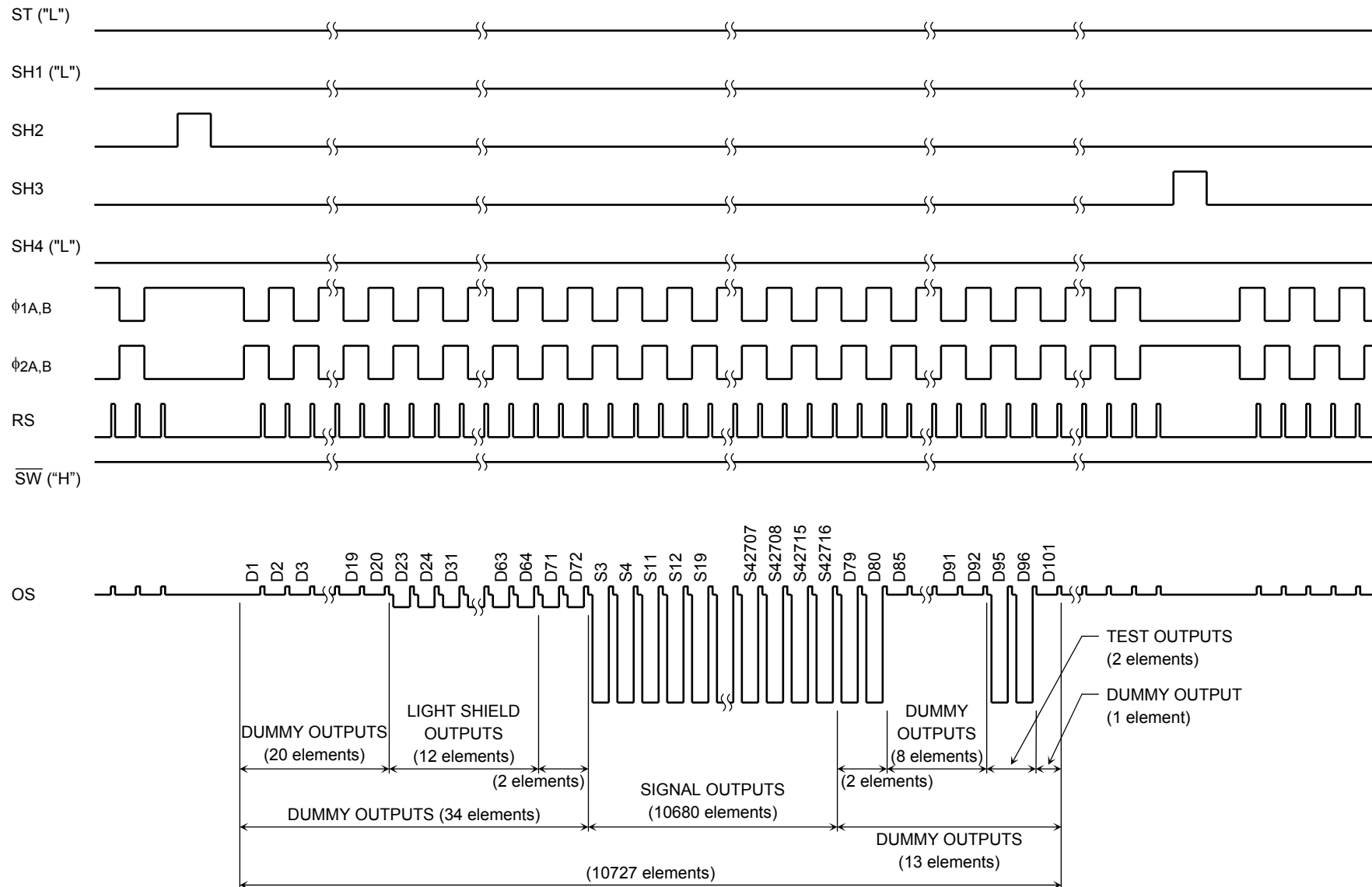
## Mode Select

$\overline{SW}$	Mode
H	4800dpi mode
L	2400dpi mode 1200dpi mode 600dpi mode

Timing Chart 1 (4800DPI mode (1) )

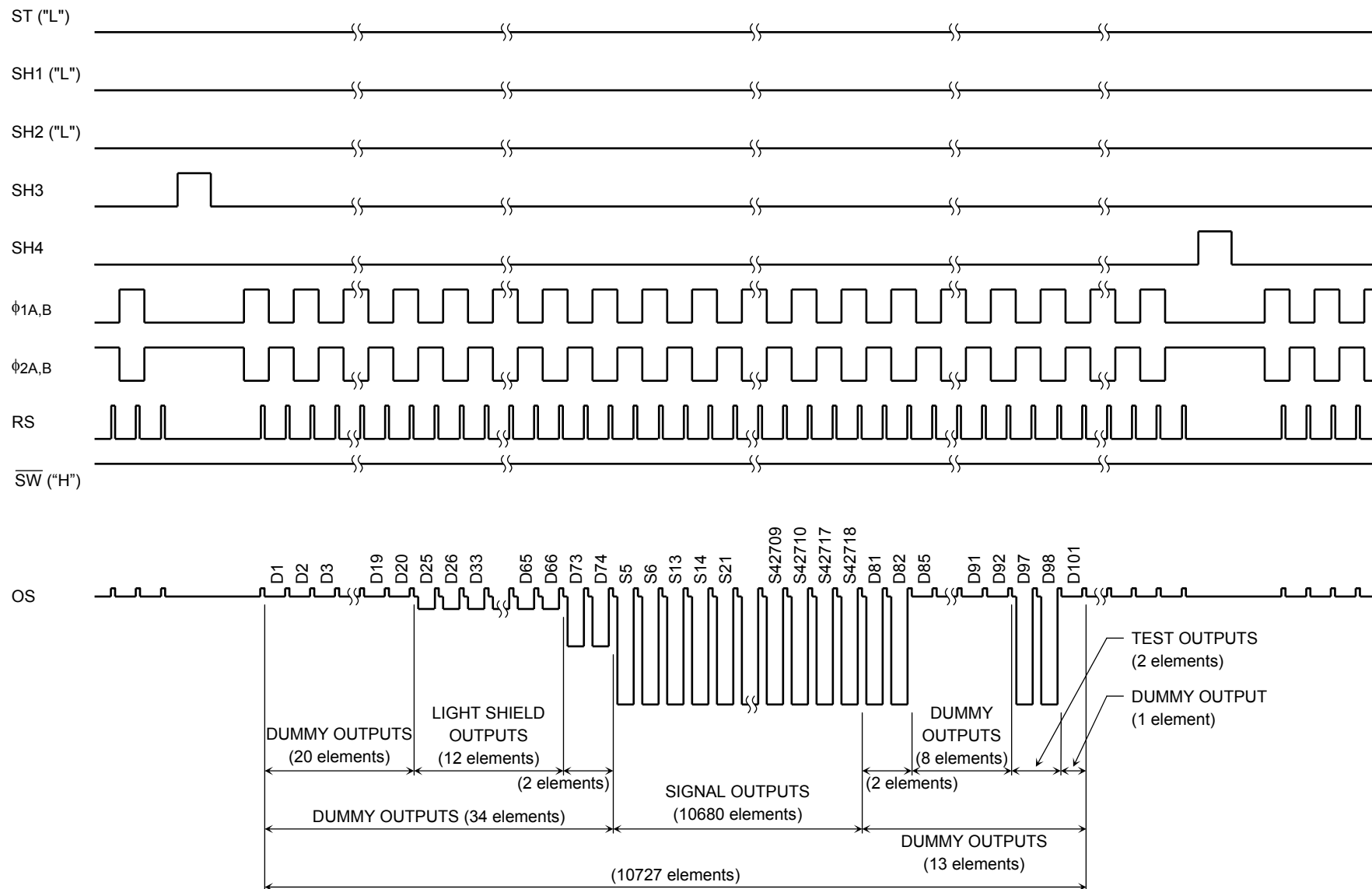


Timing Chart 2 (4800DPI mode (2) )

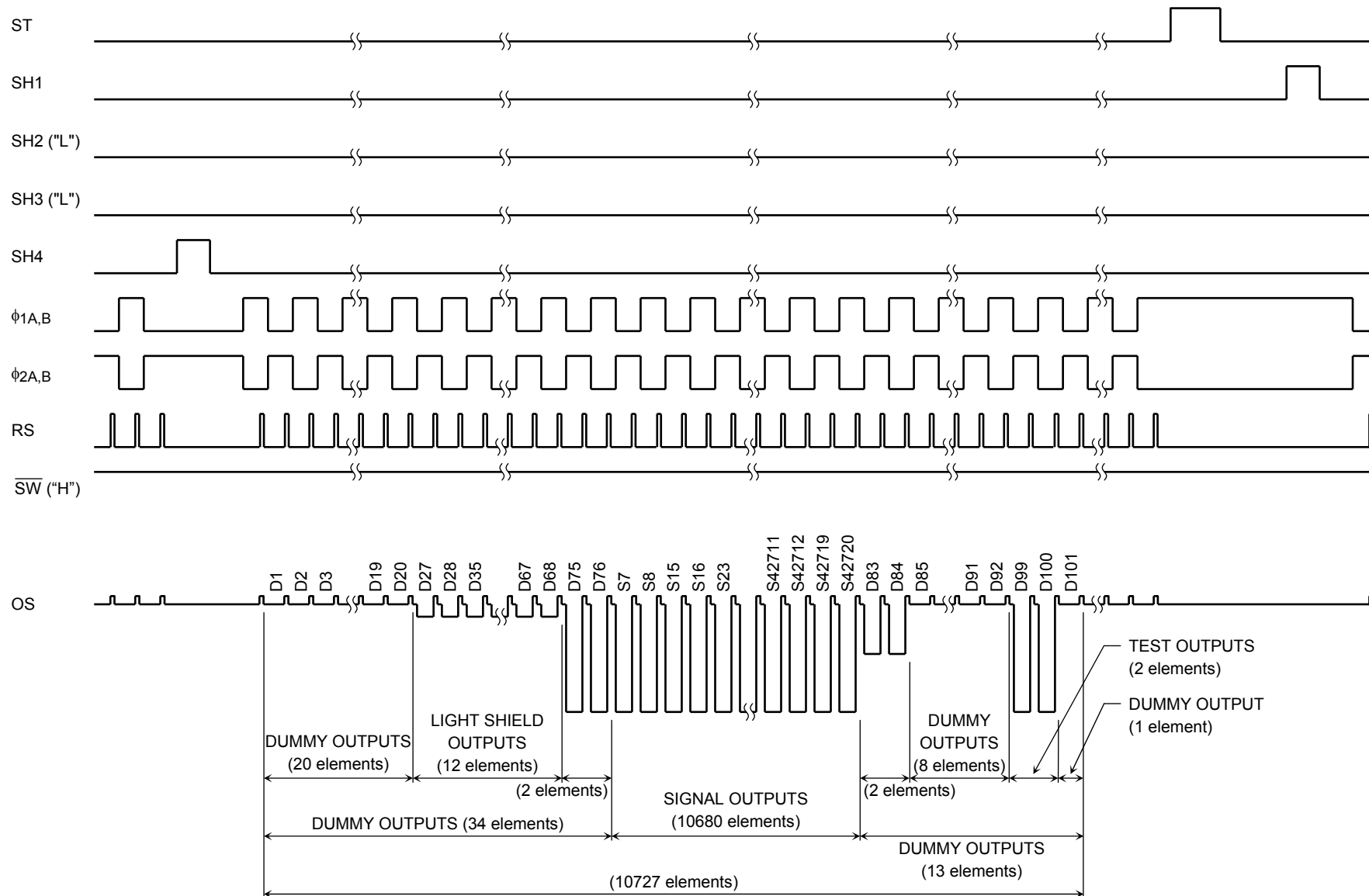




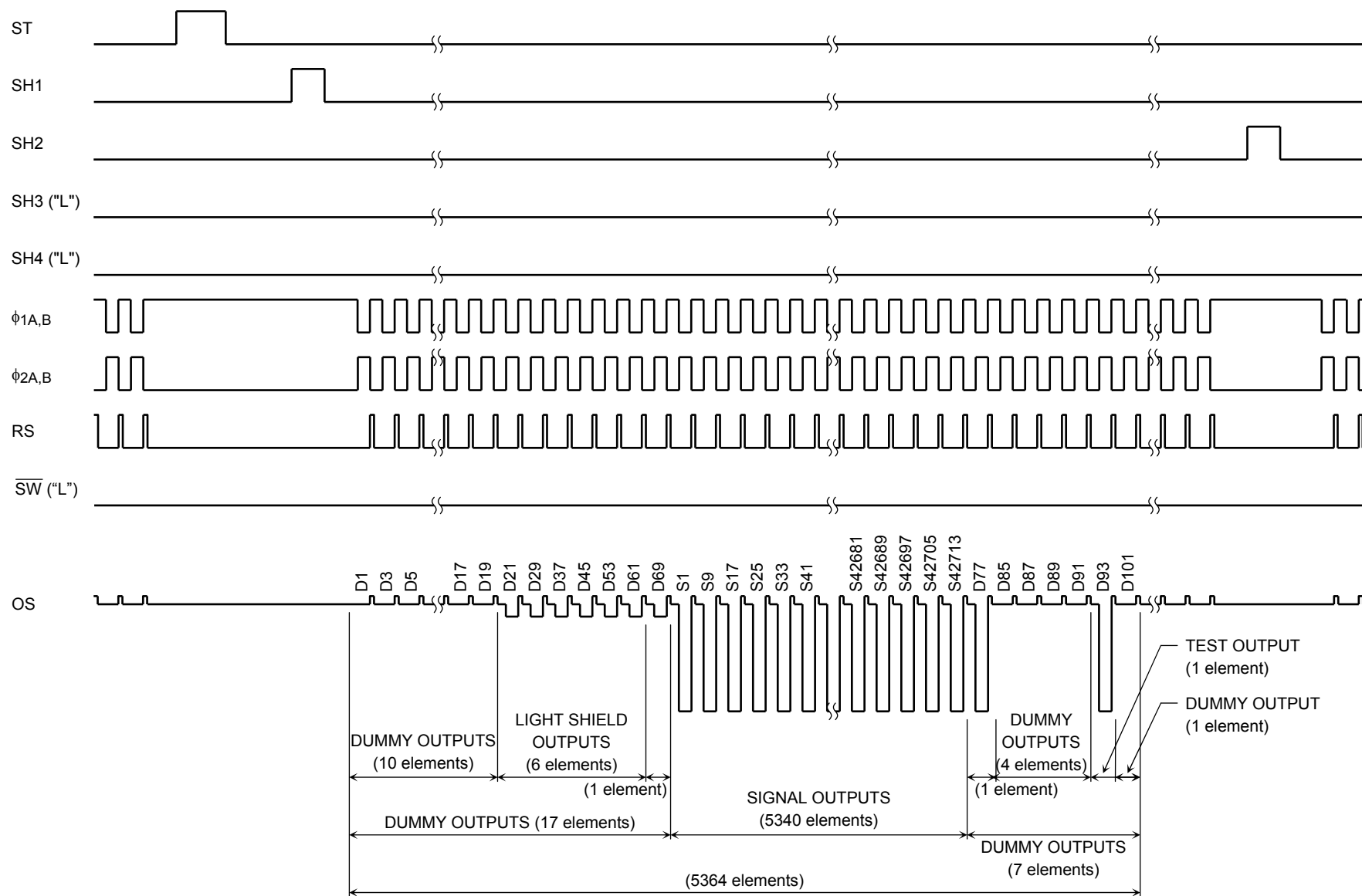
Timing Chart 3 (4800DPI mode (3) )



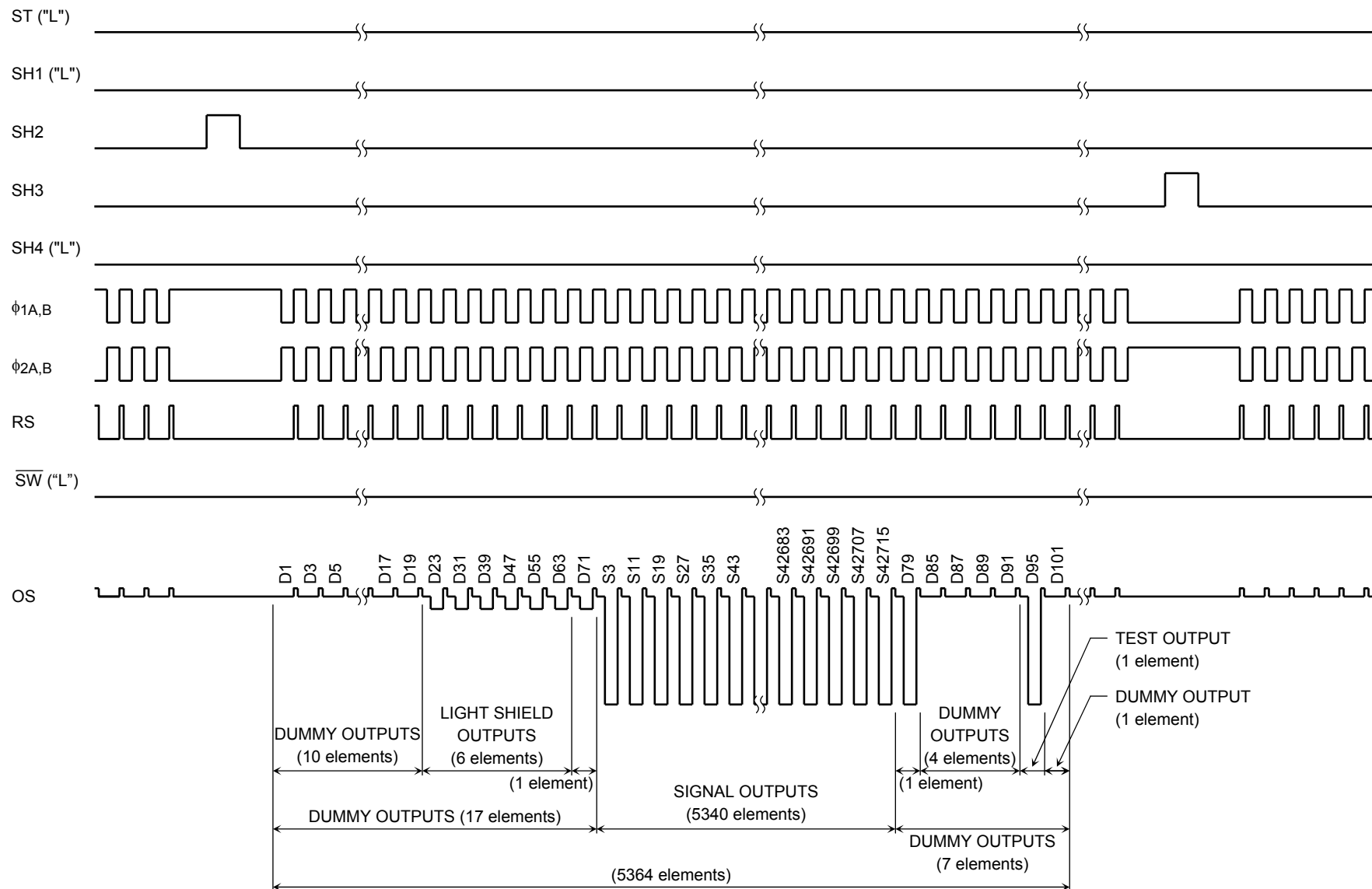
Timing Chart 4 (4800DPI mode (4) )



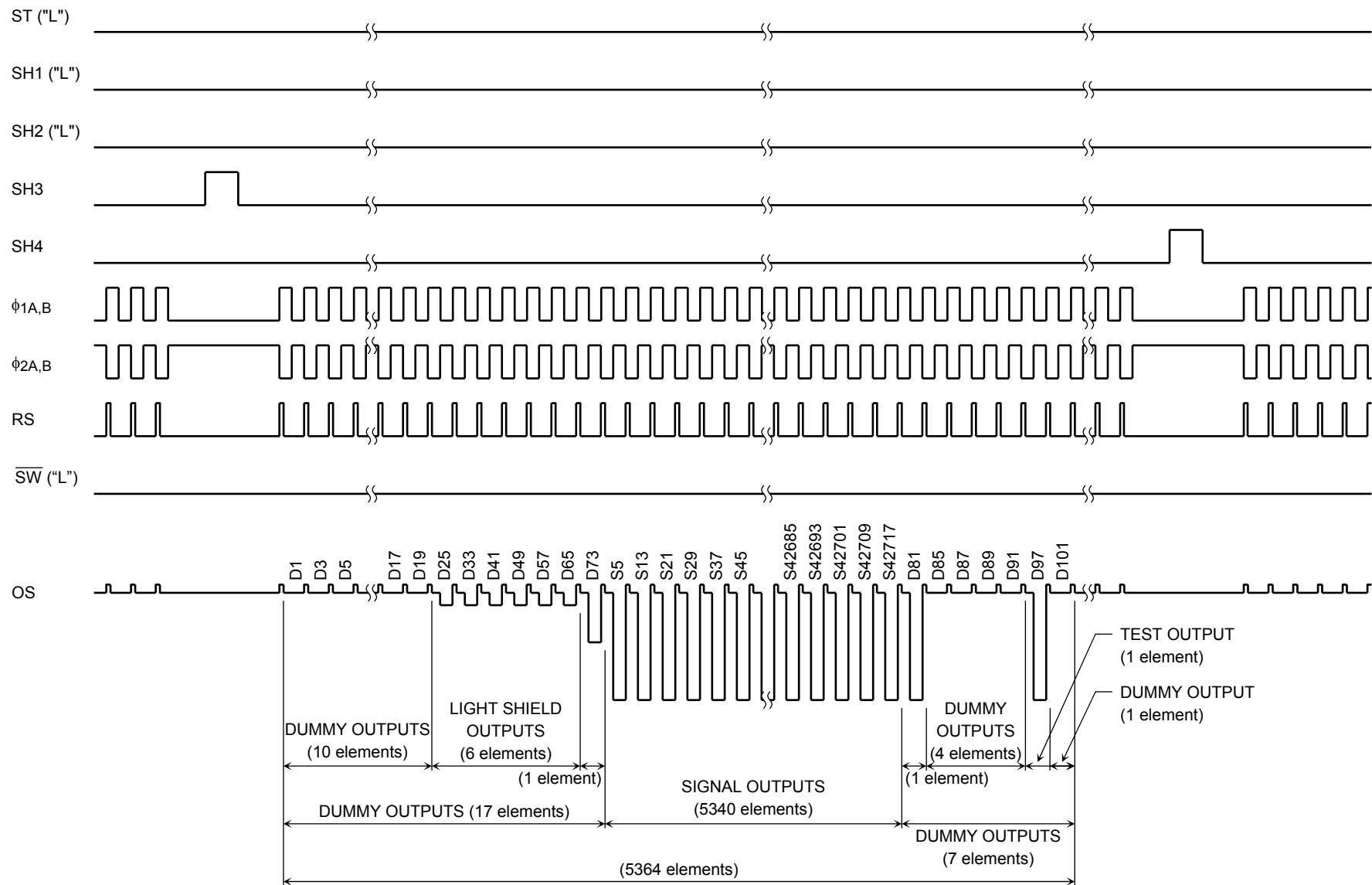
Timing Chart 5 (2400DPI mode (1))



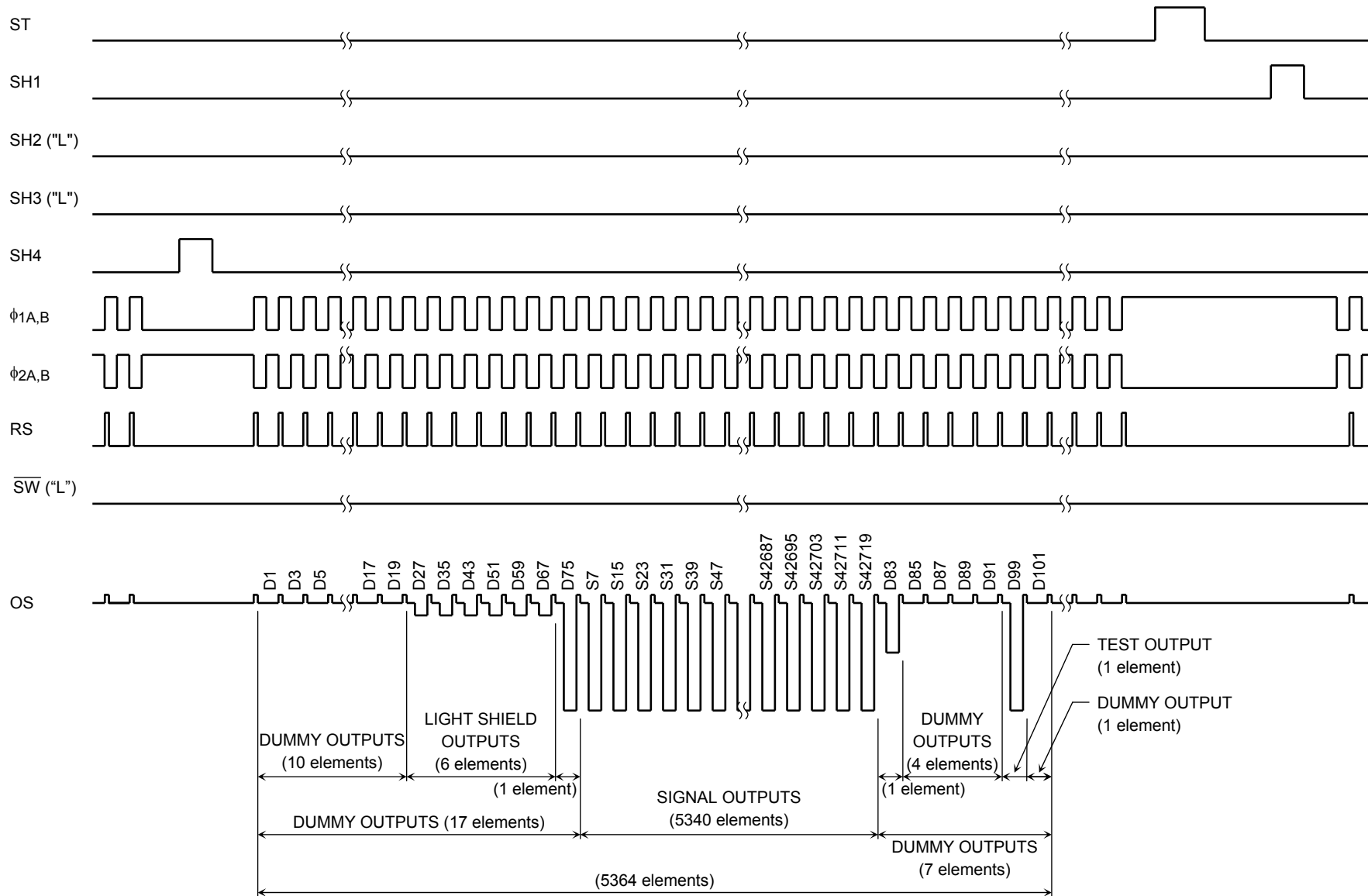
Timing Chart 6 (2400DPI mode (2) )



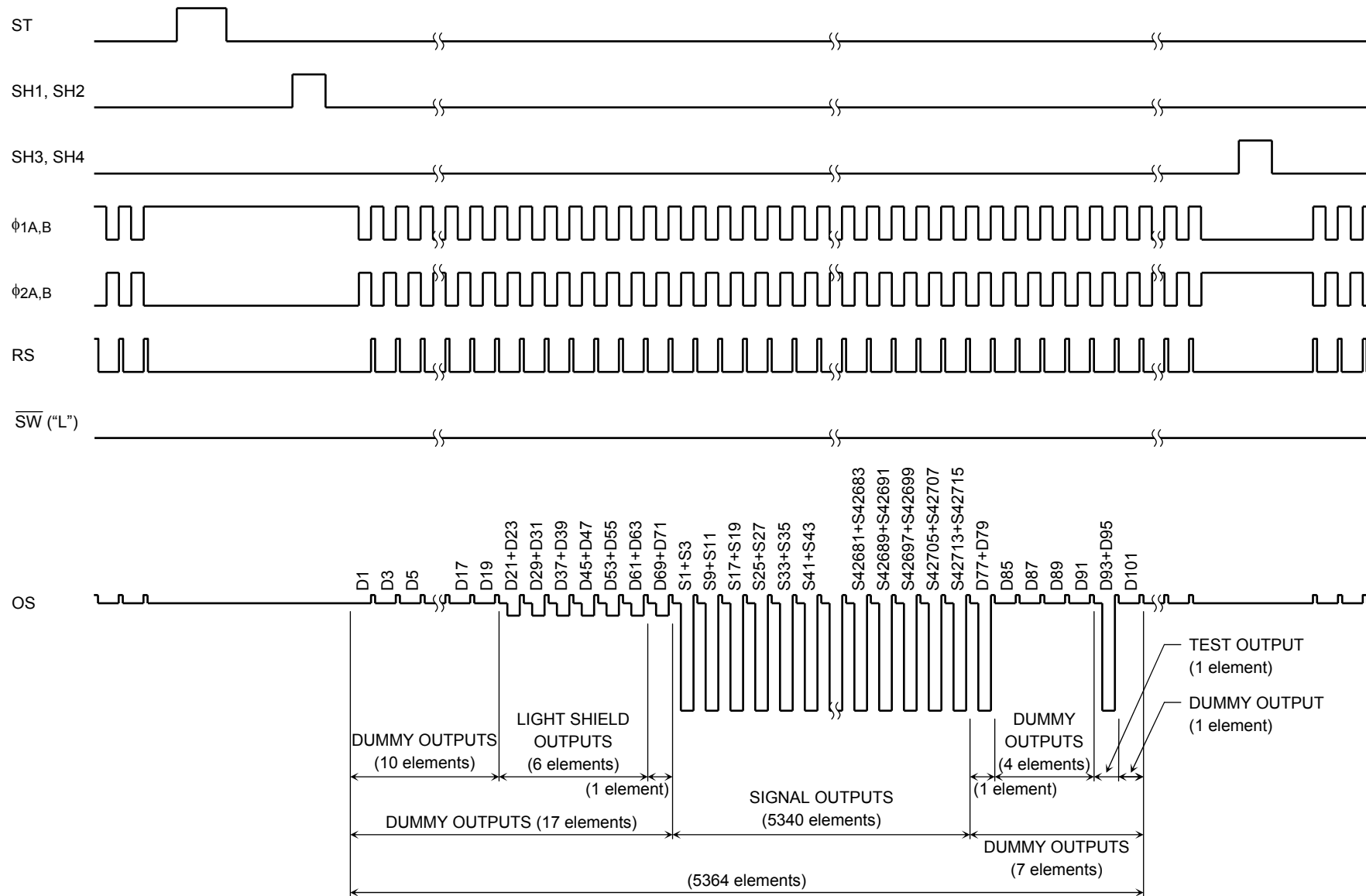
Timing Chart 7 (2400DPI mode (3) )



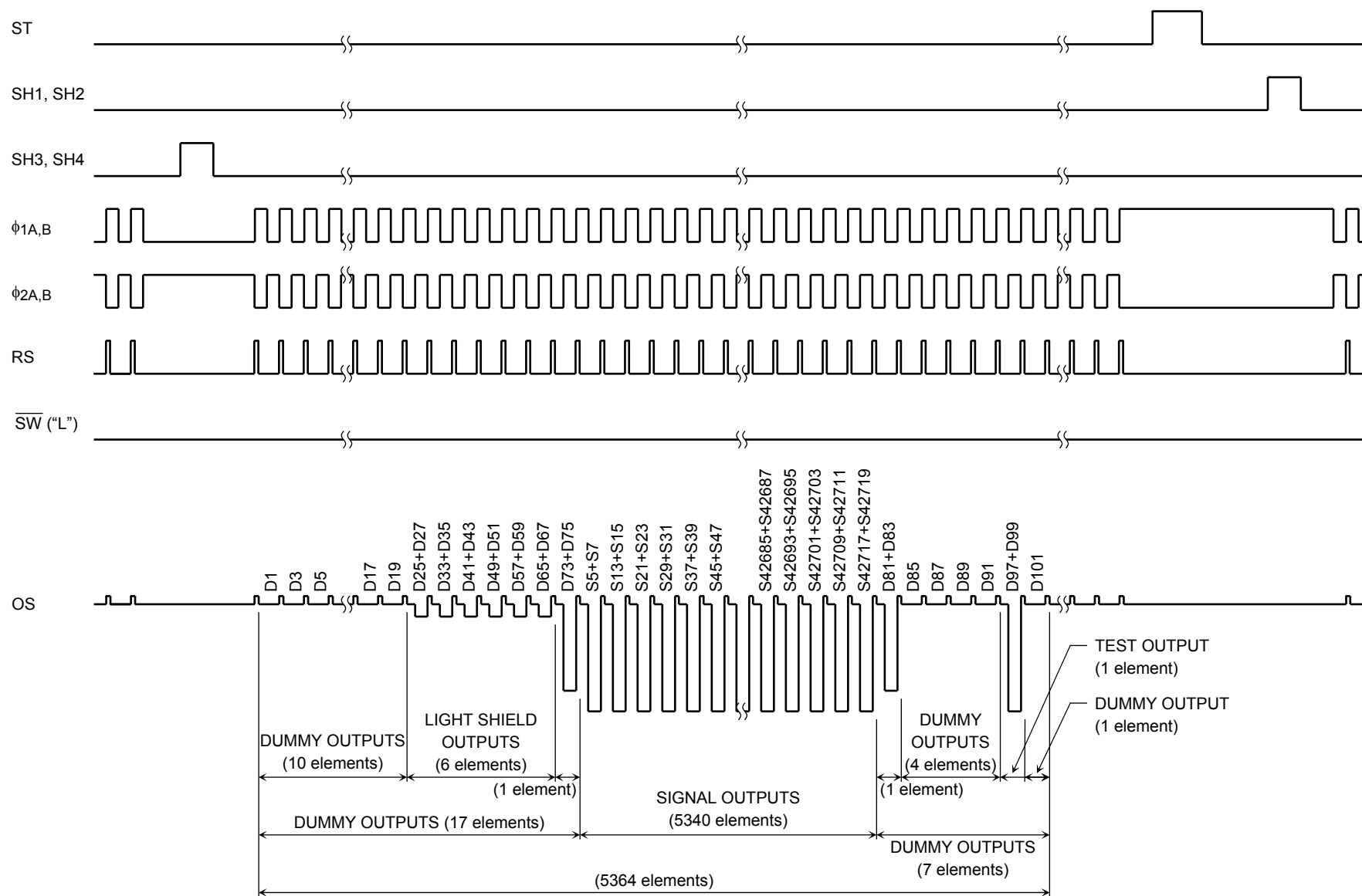
Timing Chart 8 (2400DPI mode (4) )



Timing Chart 9 (1200DPI mode (1))

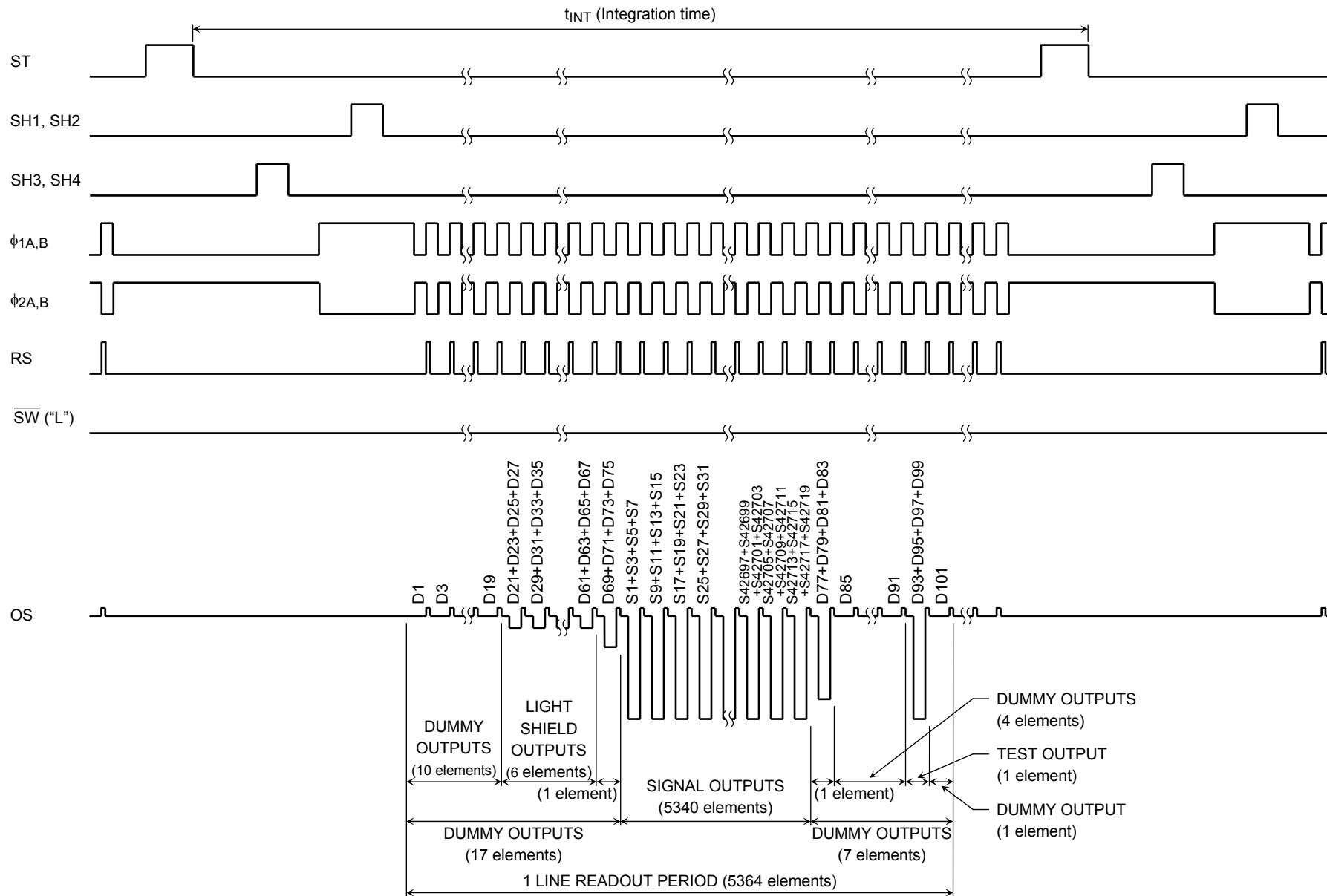


Timing Chart 10 (1200DPI mode (2) )



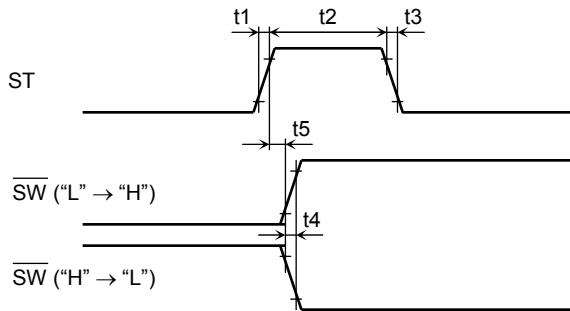


Timing Chart 11 (600DPI mode)

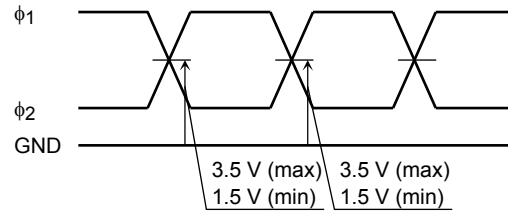


**Timing Requirements**

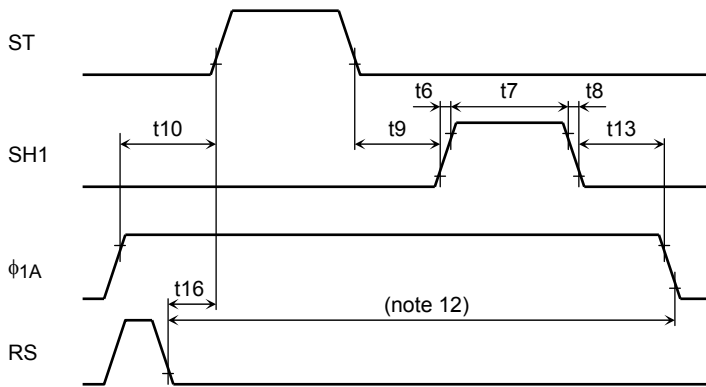
**ST,  $\overline{SW}$  Timing**



**$\phi 1, \phi 2$  Cross point**

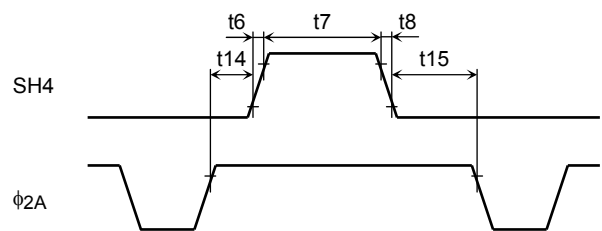
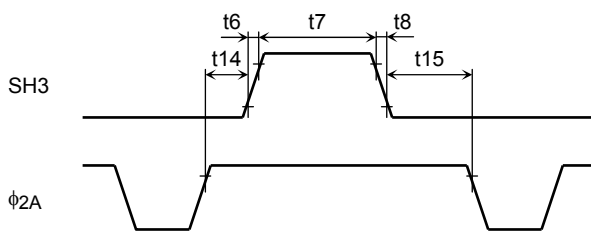
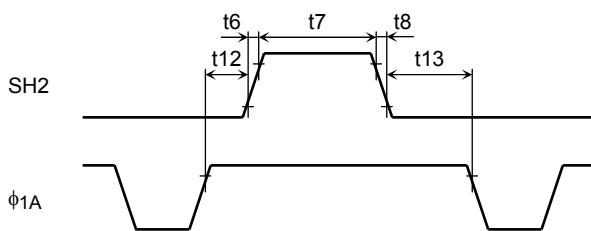


**ST, SH,  $\phi 1A$ , RS Timing (4800DPI / 2400DPI Mode)**

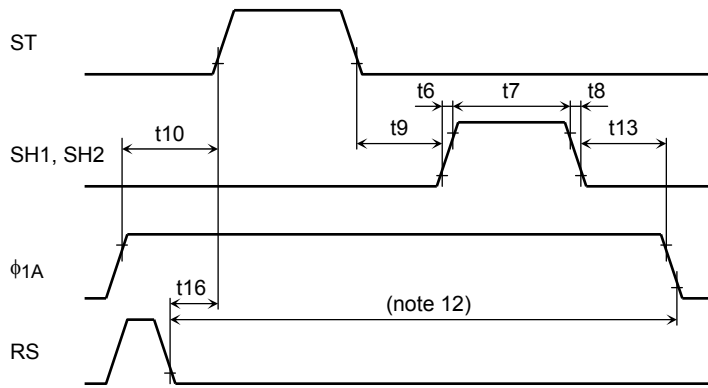


Note 12: Set the voltage level of RS to "L" level.

**SH,  $\phi 1A, \phi 2A$  Timing (4800DPI / 2400DPI Mode)**

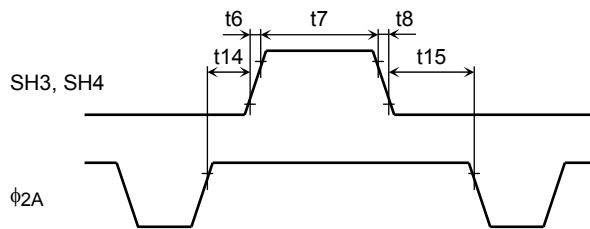


**ST, SH,  $\phi$ 1A, RS Timing (1200DPI Mode)**

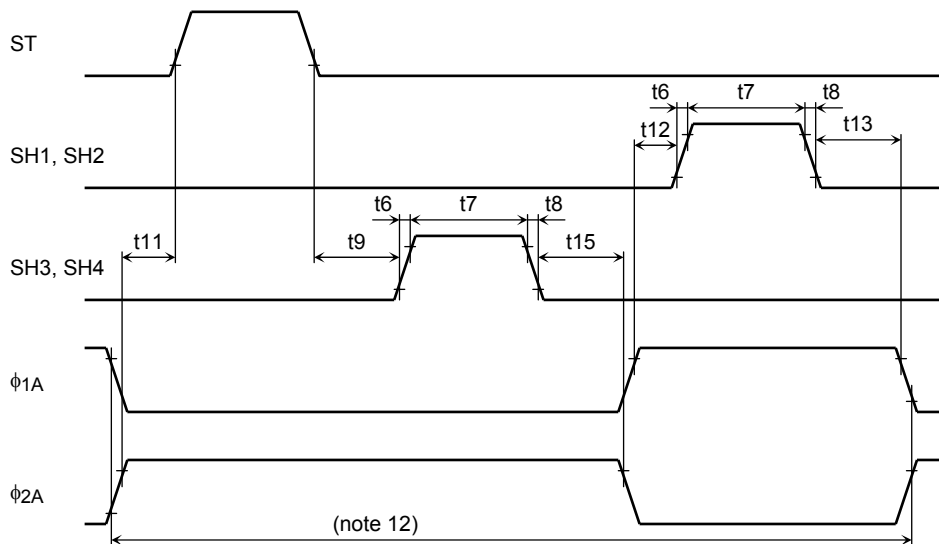


Note 12: Set the voltage level of RS to "L" level.

**SH,  $\phi$ 2A Timing (1200DPI Mode)**

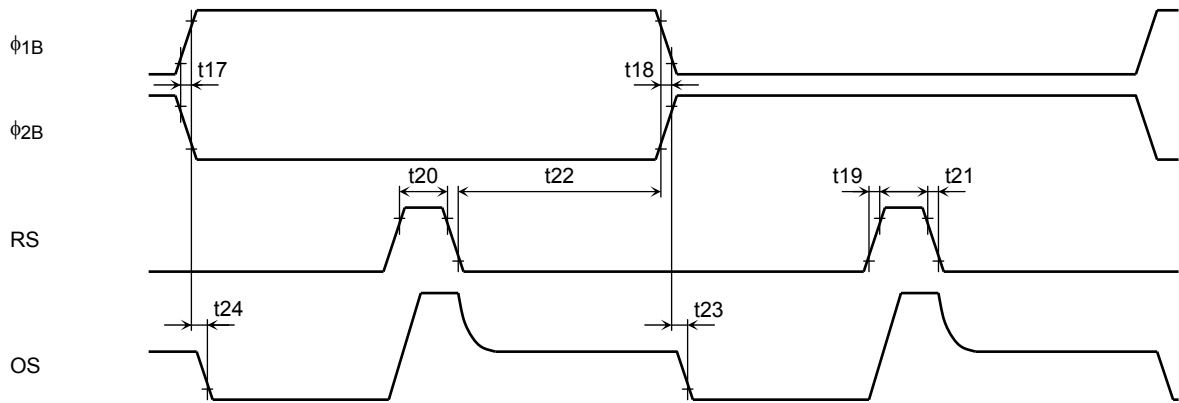


**ST, SH,  $\phi$ 1A,  $\phi$ 2A Timing (600DPI Mode)**

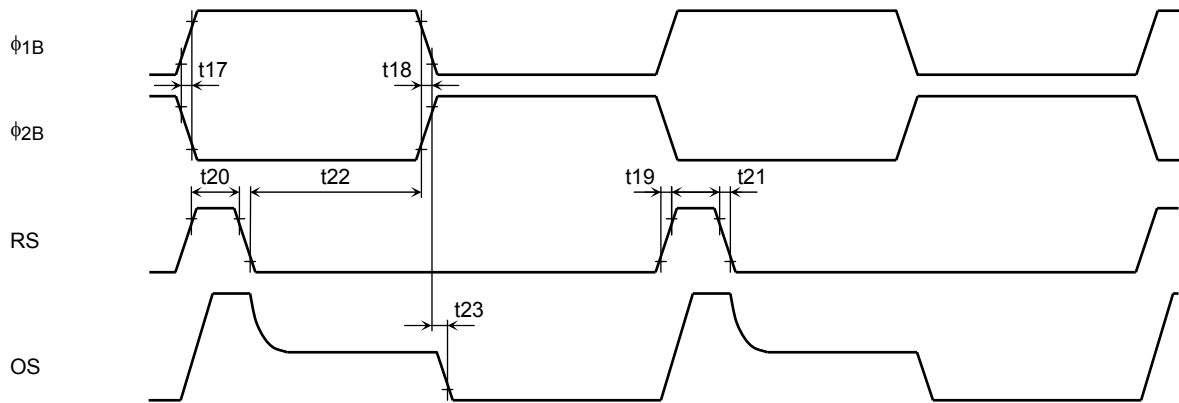


Note 12: Set the voltage level of RS to "L" level.

## $\phi 1, \phi 2, RS, OS$ Timing (4800DPI Mode)



## $\phi 1, \phi 2, RS, OS$ Timing (2400DPI / 1200DPI / 600DPI Mode)



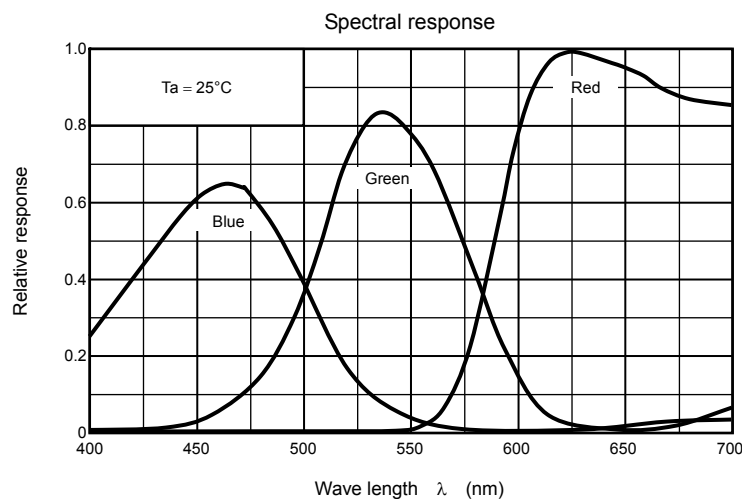
**Timing Requirements**

Characteristics	Symbol	Min	Typ. (Note 13)	Max	Unit
ST pulse rise time, fall time	t1, t3	0	50	—	ns
ST pulse width	t2	3000	5000	—	ns
$\overline{SW}$ pulse rise time, fall time	t4	0	50	—	ns
Pulse timing of ST and $\overline{SW}$	t5	0	0	—	ns
SH pulse rise time, fall time	t6, t8	0	50	—	ns
SH pulse rise width	t7	3000	5000	—	ns
Pulse timing of ST and SH	t9	3000	5000	—	ns
Pulse timing of ST and $\phi_{1A}$	t10	110	1000	—	ns
Pulse timing of ST and $\phi_{2A}$	t11	110	1000	—	ns
Pulse timing of SH and $\phi_{1A}$	t12	110	1000	—	ns
	t13	3000	5000	—	ns
Pulse timing of SH and $\phi_{2A}$	t14	110	1000	—	ns
	t15	3000	5000	—	ns
Pulse timing of ST and RS	t16	0	500	—	ns
$\phi_1, \phi_2$ pulse rise time, fall time	t17, t18	0	50	—	ns
RS pulse rise time, fall time	t19, t21	0	20	—	ns
RS pulse width	t20	15	100	—	ns
Pulse timing of $\phi_{1B}, \phi_{2B}$ and RS	t22	10	50	—	ns
Video data delay time (Note 14)	t23, t24	—	25	—	ns

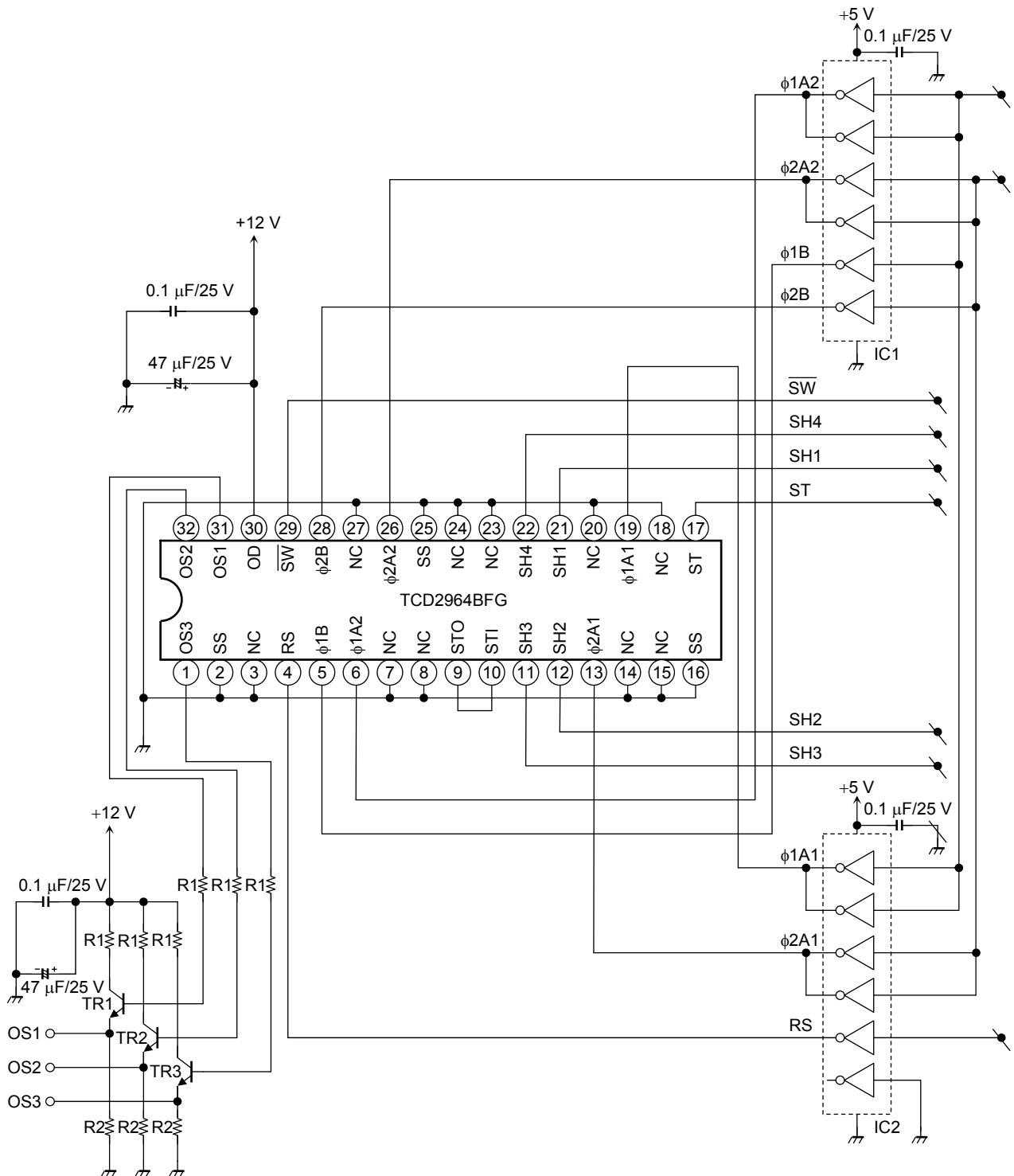
Note 13: Typ. is the case of  $f_{\phi} = 1.0$  MHz.

Note 14: Load resistance is 100 k $\Omega$ .

**Typical Spectral Response**



## Typical Drive Circuit



IC1, 2: TC74AC04P  
 TR1, 2, 3: 2SC1815-Y  
 R1: 150 Ω  
 R2: 1500 Ω

**Caution****1. Electrostatic Breakdown**

Store in shorting clip or in conductive foam to avoid electrostatic breakdown.

CCD Image Sensor is protected against static electricity, but inferior puncture mode device due to static electricity is sometimes detected. In handling the device, it is necessary to execute the following static electricity preventive measures, in order to prevent the trouble rate increase of the manufacturing system due to static electricity.

- a. Prevent the generation of static electricity due to friction by making the work with bare hands or by putting on cotton gloves and non-charging working clothes.
- b. Discharge the static electricity by providing earth plate or earth wire on the floor, door or stand of the work room.
- c. Ground the tools such as soldering iron, radio cutting pliers or pincer.  
It is not necessarily required to execute all precaution items for static electricity.  
It is all right to mitigate the precautions by confirming that the trouble rate within the prescribed range.
- d. Ionized air is recommended for discharge when handling CCD image sensors.

**2. Incident Light**

CCD sensor is sensitive to infrared light. Note that infrared light component degrades resolution and PRNU of CCD sensor.

**3. Cloudiness of Glass Inside**

CCD surface mount products may have a haze on the inside of glass, so be careful about following. Even if the haze arises inside of glass, when it is not on the pixel area, there is no problem in quality.

- a. Before the aluminum bag is opened, please keep the products in the environment below 30°C90%RH. And after the aluminum bag is opened, please keep the products in the environment below 30°C60%RH .
- b. Please mount the products within 12month from sealed date and within 6 month from opening the aluminum bag. (Sealed date is printed on aluminum bag.)

**4. Ultrasonic Cleaning**

Ultrasonic cleaning should not be used with such hermetically-sealed ceramic package as CCD because the bonding wires can become disconnected due to resonance during the cleaning process.

**5. Mounting**

In the case of solder mounting, the devices should be mounted with the window glass protective tape in order to avoid dust or dirt included in reflow machine.

**6. Window Glass Protective Tape**

The window glass protective tape is manufactured from materials in which static charges tend to build up. When removing the tape from CCD sensor after solder mounting, install an ionizer to prevent the tape from being charged with static electricity.

When the tape is removed, adhesives will remain in the glass surface. Since these adhesives appear as black or white flaws on the image, please wipe the window glass surface with the cloth into which the organic solvent was infiltrated. Then please attach CCD to a product.

Do not reuse the tape.

## 7. Soldering Temperature Profile for Pb free

Good temperature profile for each soldering method is as follows. In addition, in case of the repair work accompanied by IC removal, since the degree of parallel may be spoiled with the left solder, please do not carry out and in case of the repair work not accompanied by IC removal, carry out with a soldering iron or, in reflow, only one time.

- a. Using a soldering iron
  - Complete soldering within ten seconds for lead temperatures of up to 260°C, or within three seconds for lead temperatures of up to 350°C.
- b. Using long infrared rays reflow / hot air reflow
  - Please do reflow at the condition that the package surface (electrode) temperature is on the solder maker's recommendation profile. And that reflow profile is within below condition 1 to 3.
    1. Peak temperature: 250°C or less.
    2. Time to keep high temperature : 220~250°C, 30~40sec.
    3. Pre. heat : 150~190°C, 60~120sec

## 8. Window Glass

The dust and stain on the glass window of the package degrade optical performance of CCD sensor.

Keep the glass window clean by saturating a cotton swab in alcohol and lightly wiping the surface, and allow the glass to dry, by blowing with filtered dry N<sub>2</sub>. Care should be taken to avoid mechanical or thermal shock because the glass window is easily to damage.

## 9. Cleaning Method of the Window Glass Surface

Wiping Cloth

- a. Use soft cloth with a fine mesh.
- b. The wiping cloth must not cause dust from itself.
- c. Use a clean wiping cloth necessarily.

Recommended wiping cloth is as follow;

- MK cloth (Toray Industries)

Cleaner

Recommended cleaning liquid of window glass are as follow;

- EE-3310 (Olympus)

When using solvents, such as alcohol, unavoidably, it is cautious of the next.

- a. A clean thing with quick-drying.
- b. After liquid dries, there needs to be no residual substance.
- c. A thing safe for a human body.

And, please observe the use term of a solvent and use the storage container of a solvent to be clean.

Be cautious of fire enough.

Way of Cleaning

First, the surface of window glass is wiped with the wiping cloth into which the cleaner was infiltrated.

Please wipe down the surface of window glass at least 2 times or more.

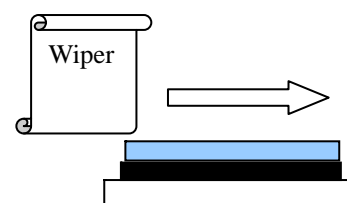
Next, the surface of window glass wipes with the dry wiping cloth. Please wipe down the surface of window glass at least 3 times or more.

Finally, blow cleaning is performed by dry N<sub>2</sub> filtered.

If operator wipes the surface of the window glass with the above-mentioned process and dirt still remains, Toshiba recommends repeating the clean operation from the beginning.

Be cautious of the next thing.

- a. Don't infiltrate the cleaner too much.
- b. A wiping portion is performed into the optical range and don't touch the edge of window glass.
- c. Be sure to wipe in a long direction and the same direction.
- d. A wiping cloth always uses an unused portion.





**10. Foot Pattern on the PCB**

We recommend fig1's foot pattern for your PCB(Printed circuit Board).

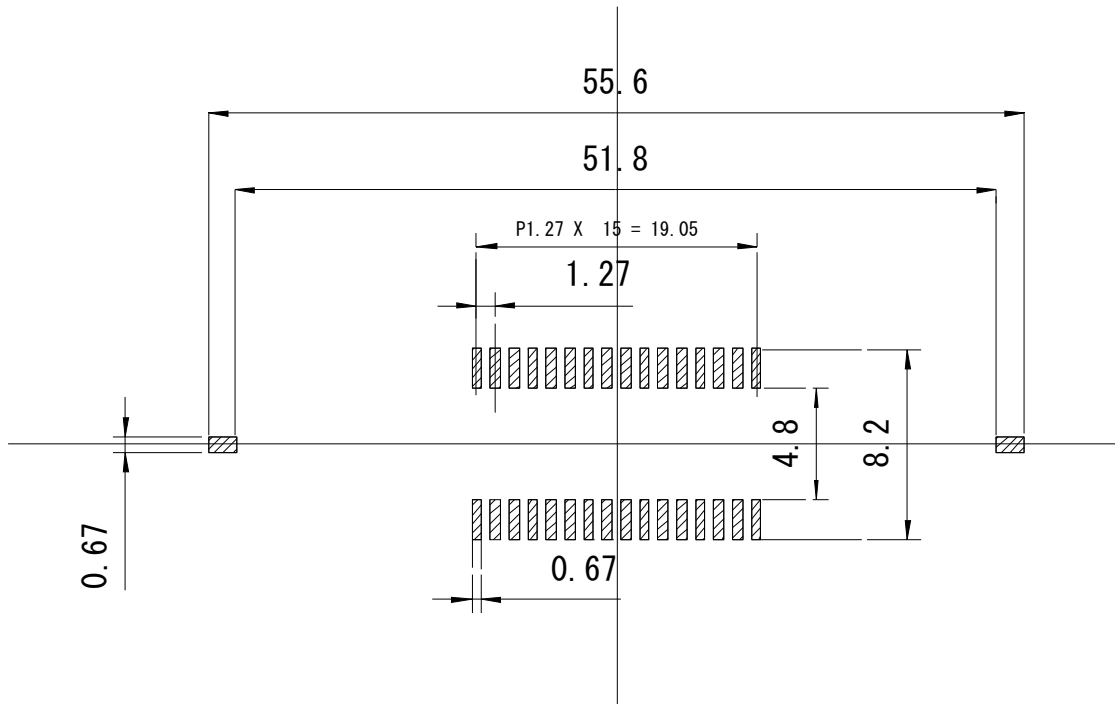


fig1

**11. Mask for Solder Paste Application**

We recommend metal mask that have the following thickness.

- TCD\*\*\*\*BFG(Pad material : Au) : a thickness of 0.2mm.

And we recommend that the size of the pattern of the metal mask is 95% to 100% of recommended foot pattern at fig1.

**12. Temperature cycle**

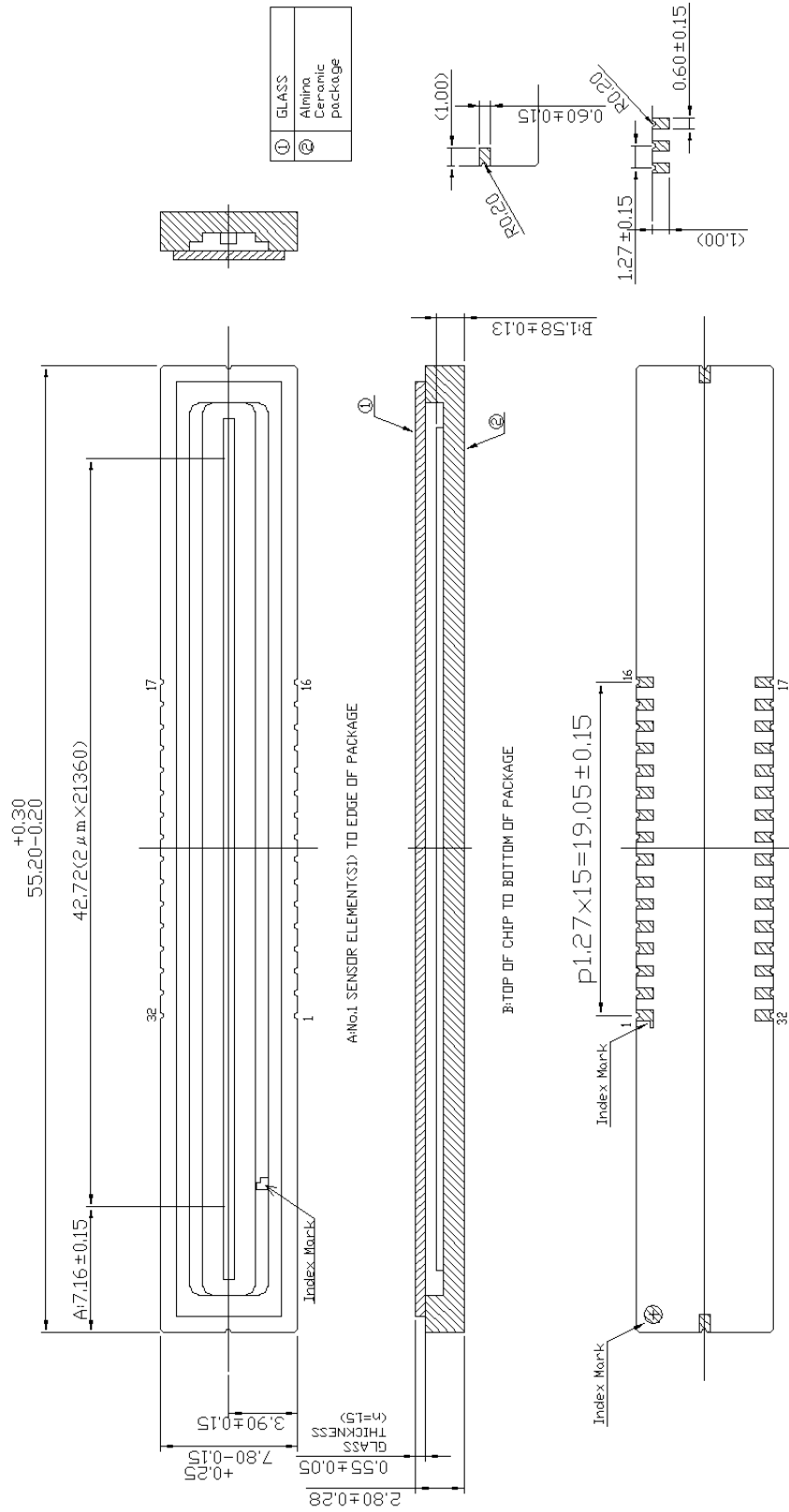
After mounting, if temperature cycle stress is too much, CCD surface mount products have a possibility that a crack may arise in solder. As a method of preventing a solder crack, underfil is effective

**13. Reuse of a Tray**

We reuse tray in order to reduce plastic waste as we can. Please cooperate with us in reusing for ecology.



## Package Dimensions



Weight: 3.2 g (typ.)

**RESTRICTIONS ON PRODUCT USE**

- Toshiba Corporation, and its subsidiaries and affiliates (collectively “TOSHIBA”), reserve the right to make changes to the information in this document, and related hardware, software and systems (collectively “Product”) without notice.
- This document and any information herein may not be reproduced without prior written permission from TOSHIBA. Even with TOSHIBA’s written permission, reproduction is permissible only if reproduction is without alteration/omission.
- Though TOSHIBA works continually to improve Product’s quality and reliability, Product can malfunction or fail. Customers are responsible for complying with safety standards and for providing adequate designs and safeguards for their hardware, software and systems which minimize risk and avoid situations in which a malfunction or failure of Product could cause loss of human life, bodily injury or damage to property, including data loss or corruption. Before creating and producing designs and using, customers must also refer to and comply with (a) the latest versions of all relevant TOSHIBA information, including without limitation, this document, the specifications, the data sheets and application notes for Product and the precautions and conditions set forth in the “TOSHIBA Semiconductor Reliability Handbook” and (b) the instructions for the application that Product will be used with or for. Customers are solely responsible for all aspects of their own product design or applications, including but not limited to (a) determining the appropriateness of the use of this Product in such design or applications; (b) evaluating and determining the applicability of any information contained in this document, or in charts, diagrams, programs, algorithms, sample application circuits, or any other referenced documents; and (c) validating all operating parameters for such designs and applications. **TOSHIBA ASSUMES NO LIABILITY FOR CUSTOMERS’ PRODUCT DESIGN OR APPLICATIONS.**
- Product is intended for use in general electronics applications (e.g., computers, personal equipment, office equipment, measuring equipment, industrial robots and home electronics appliances) or for specific applications as expressly stated in this document. Product is neither intended nor warranted for use in equipment or systems that require extraordinarily high levels of quality and/or reliability and/or a malfunction or failure of which may cause loss of human life, bodily injury, serious property damage or serious public impact (“Unintended Use”). Unintended Use includes, without limitation, equipment used in nuclear facilities, equipment used in the aerospace industry, medical equipment, equipment used for automobiles, trains, ships and other transportation, traffic signaling equipment, equipment used to control combustions or explosions, safety devices, elevators and escalators, devices related to electric power, and equipment used in finance-related fields. Do not use Product for Unintended Use unless specifically permitted in this document.
- Do not disassemble, analyze, reverse-engineer, alter, modify, translate or copy Product, whether in whole or in part.
- Product shall not be used for or incorporated into any products or systems whose manufacture, use, or sale is prohibited under any applicable laws or regulations.
- The information contained herein is presented only as guidance for Product use. No responsibility is assumed by TOSHIBA for any infringement of patents or any other intellectual property rights of third parties that may result from the use of Product. No license to any intellectual property right is granted by this document, whether express or implied, by estoppel or otherwise.
- **ABSENT A WRITTEN SIGNED AGREEMENT, EXCEPT AS PROVIDED IN THE RELEVANT TERMS AND CONDITIONS OF SALE FOR PRODUCT, AND TO THE MAXIMUM EXTENT ALLOWABLE BY LAW, TOSHIBA (1) ASSUMES NO LIABILITY WHATSOEVER, INCLUDING WITHOUT LIMITATION, INDIRECT, CONSEQUENTIAL, SPECIAL, OR INCIDENTAL DAMAGES OR LOSS, INCLUDING WITHOUT LIMITATION, LOSS OF PROFITS, LOSS OF OPPORTUNITIES, BUSINESS INTERRUPTION AND LOSS OF DATA, AND (2) DISCLAIMS ANY AND ALL EXPRESS OR IMPLIED WARRANTIES AND CONDITIONS RELATED TO SALE, USE OF PRODUCT, OR INFORMATION, INCLUDING WARRANTIES OR CONDITIONS OF MERCHANTABILITY, FITNESS FOR A PARTICULAR PURPOSE, ACCURACY OF INFORMATION, OR NONINFRINGEMENT.**
- Do not use or otherwise make available Product or related software or technology for any military purposes, including without limitation, for the design, development, use, stockpiling or manufacturing of nuclear, chemical, or biological weapons or missile technology products (mass destruction weapons). Product and related software and technology may be controlled under the Japanese Foreign Exchange and Foreign Trade Law and the U.S. Export Administration Regulations. Export and re-export of Product or related software or technology are strictly prohibited except in compliance with all applicable export laws and regulations.
- Product is subject to foreign exchange and foreign trade control laws.
- The technical information described in this document is subject to foreign exchange and foreign trade control laws.
- Please contact your TOSHIBA sales representative for details as to environmental matters such as the RoHS compatibility of Product. Please use Product in compliance with all applicable laws and regulations that regulate the inclusion or use of controlled substances, including without limitation, the EU RoHS Directive. TOSHIBA assumes no liability for damages or losses occurring as a result of noncompliance with applicable laws and regulations.

**Overflow Drain Performance**

Specified as below.

No blooming when exposed 4.45 times the exposure that gives 2.4V of output voltage at  $t_{INT}=22ms$  and exposed area on CCD=9.6mm.

**Chip Warpage**

Specified as  $0 \pm 20$  [um] by the definition below. This specification is based on the actual distribution. No inspection is performed for the products.

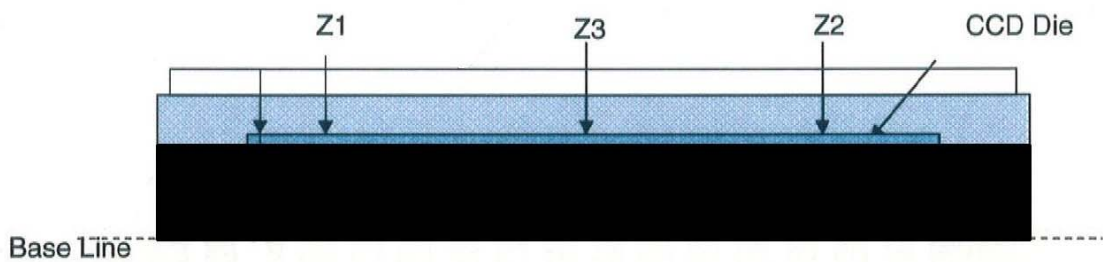
(Definition)

In the figure below, chip warpage is defined as the vertical distance of Z3 from the line connecting Z1 and Z2 (datum).

When Z3 is at cover glass side from the datum, the sign is defined as "+".

When Z3 is at package side from the datum, the sign is defined as "-".

Chip warpage is defined by the product before solder mounting on PCB.



**Chip Slope**

Specified as follows by the definition below.

$0 \pm 0.25$  [degree] for longer direction

$0 \pm 2$  [degree] for shorter direction

This specification is based on the actual distribution. No inspection is performed for the products.

(Definition)

In the figure below, chip slope is calculated by Z1, Z2, ..., Z6 value from bottom of package.

for longer direction:

Chip slope is defined by Z1 and Z5 and by Z2 and Z6.

When  $Z5 > Z1$  or  $Z6 > Z2$ , the sign is defined as "+".

When  $Z5 < Z1$  or  $Z6 < Z2$ , the sign is defined as "-".

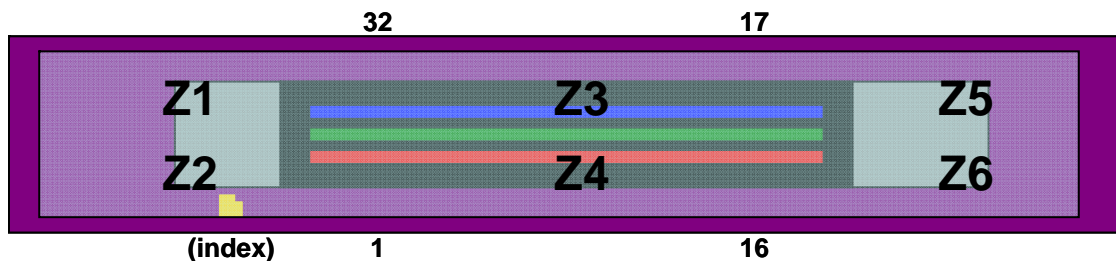
for shorter direction:

Chip slope is defined by Z1 and Z2, by Z3 and Z4 and by Z5 and Z6.

When  $Z1 > Z2$  or  $Z3 > Z4$  or  $Z5 > Z6$ , the sign is defined as "+".

When  $Z1 < Z2$  or  $Z3 < Z4$  or  $Z5 < Z6$ , the sign is defined as "-".

Chip slope is defined by the product before solder mounting on PCB.



## Change history

Rev.	Date	Description
0	2009-09-15	New
1	2015-11-12	changed warning ABSOLUTE MAXIMUM RATINGS, Operating Condition, Clock Characteristics
2		
3		
4		
5		
6		
7		
8		
9		
10		
11		
12		
13		
14		
15		
16		
17		
18		
19		
20		
21		
22		
23		
24		
25		