

SNx4HC166 8-Bit Parallel-Load Shift Registers

1 Features

- Wide operating voltage range of 2 V to 6 V
- Outputs can drive up to 10 LSTTL loads
- Low power consumption, 80- μ A max I_{CC}
- Typical $t_{pd} = 13$ ns
- ± 4 -mA output drive at 5 V
- Low input current of 1 μ A max
- Synchronous load
- Direct overriding clear
- Parallel-to-serial conversion

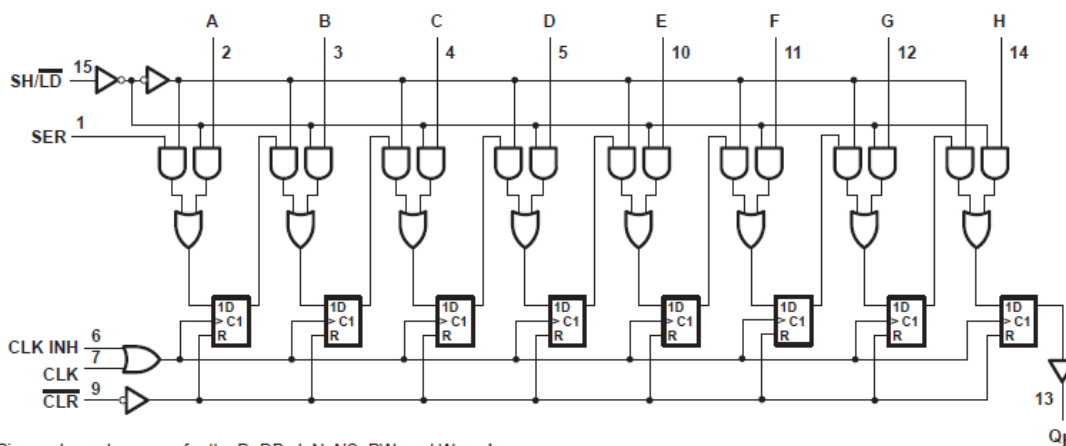
2 Description

The SNx4HC166 device contains an 8-bit shift register with one serial input and eight parallel-load inputs.

Device Information

| PART NUMBER | PACKAGE ⁽¹⁾ | BODY SIZE (NOM) |
|--------------|------------------------|---------------------------|
| SN74HC166D | SOIC (16) | 9.90 mm \times 3.90 mm |
| SN74HC166DB | SSOP (16) | 6.20 mm \times 5.30 mm |
| SN74HC166N | PDIP (16) | 19.31 mm \times 6.35 mm |
| SN74HC166NS | SO (16) | 6.20 mm \times 5.30 mm |
| SN74HC166PW | TSSOP (16) | 5.00 mm \times 4.40 mm |
| SN54HC166J | CDIP (16) | 24.38 mm \times 6.92 mm |
| SNJ54HC166FK | LCCC (20) | 8.89 mm \times 8.45 mm |
| SNJ54HC166J | CFP (16) | 10.16 mm \times 6.73 mm |

(1) For all available packages, see the orderable addendum at the end of the data sheet.



Pin numbers shown are for the D, DB, J, N, NS, PW, and W packages.

Functional Block Diagram

顶点光电子商城

<https://www.vertex-icbuy.com/>



An IMPORTANT NOTICE at the end of this data sheet addresses availability, warranty, changes, use in safety-critical applications, intellectual property matters and other important disclaimers. PRODUCTION DATA.

Table of Contents

| | | | |
|---|---|--|----|
| 1 Features | 1 | 7.1 Overview..... | 9 |
| 2 Description | 1 | 7.2 Functional Block Diagram..... | 9 |
| 3 Revision History | 2 | 7.3 Device Functional Modes..... | 9 |
| 4 Pin Configuration and Functions | 3 | 8 Power Supply Recommendations | 10 |
| 5 Specifications | 4 | 9 Layout | 10 |
| 5.1 Absolute Maximum Ratings..... | 4 | 9.1 Layout Guidelines..... | 10 |
| 5.2 Recommended Operating Conditions ⁽¹⁾ | 4 | 10 Device and Documentation Support | 11 |
| 5.3 Thermal Information..... | 4 | 10.1 Receiving Notification of Documentation Updates.. | 11 |
| 5.4 Electrical Characteristics..... | 5 | 10.2 Support Resources..... | 11 |
| 5.5 Timing Requirements | 6 | 10.3 Trademarks..... | 11 |
| 5.6 Switching Characteristics | 7 | 10.4 Electrostatic Discharge Caution..... | 11 |
| 5.7 Operating Characteristics..... | 7 | 10.5 Glossary..... | 11 |
| 6 Parameter Measurement Information | 8 | 11 Mechanical, Packaging, and Orderable Information | 11 |
| 7 Detailed Description | 9 | | |

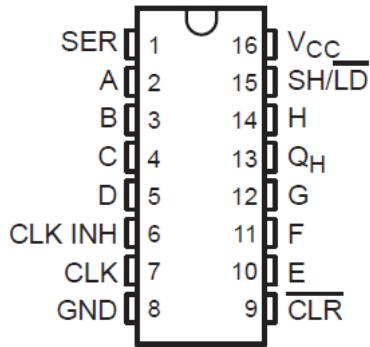
3 Revision History

NOTE: Page numbers for previous revisions may differ from page numbers in the current version.

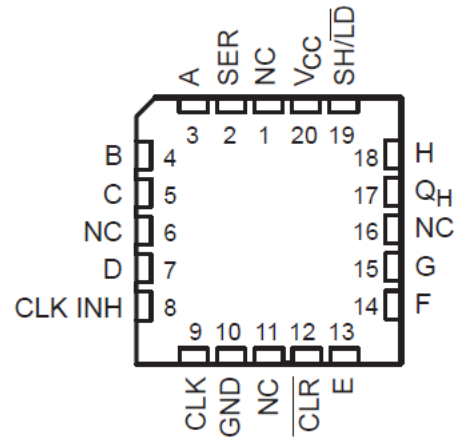
| Changes from Revision D (December 1982) to Revision E (February 2022) | Page |
|--|------|
| • Updated the numbering, formatting, tables, figures, and cross-references throughout the document to reflect modern data sheet standards..... | 1 |

顶点光电子商城
<https://www.vertex-icbuy.com/>

4 Pin Configuration and Functions



J, D, DB, N, NS, or PW Package
16-Pin CDIP, SOIC, SSOP, PDIP, SO, TSSOP
Top View



NC – No internal connection
FK Package
20-Pin LCCC
Top View

5 Specifications

5.1 Absolute Maximum Ratings

over operating free-air temperature range (unless otherwise noted)⁽¹⁾

| | | MIN | MAX | UNIT |
|------------------|---|--|-----|------|
| V _{CC} | Supply voltage range | -0.5 | 7 | V |
| I _{IK} | Input clamp current ⁽²⁾ | V _I < 0 or V _I > V _{CC} | ±20 | mA |
| I _{OK} | Output clamp current ⁽²⁾ | V _O < 0 or V _O > V _{CC} | ±20 | mA |
| I _O | Continuous output current | V _O = 0 to V _{CC} | ±25 | mA |
| | Continuous current through V _{CC} or GND | | ±50 | mA |
| T _J | Junction temperature | | 150 | °C |
| T _{stg} | Storage temperature | -65 | 150 | °C |

- (1) Stresses beyond those listed under *absolute maximum ratings* may cause permanent damage to the device. These are stress ratings only and functional operation of the device at these or any other conditions beyond those indicated under [Section 5.2](#) is not implied. Exposure to absolute-maximum-rated conditions for extended periods may affect device reliability.
- (2) The input and output voltage ratings may be exceeded if the input and output current ratings are observed.

5.2 Recommended Operating Conditions⁽¹⁾

| | | SN54HC166 | | | SN74HC166 | | | UNIT |
|----------------------|---------------------------------|-------------------------|-----------------|-----|-----------|-----------------|-----|------|
| | | MIN | NOM | MAX | MIN | NOM | MAX | |
| V _{CC} | Supply voltage | 2 | 5 | 6 | 2 | 5 | 6 | V |
| V _{IH} | High-level input voltage | V _{CC} = 2 V | 1.5 | | 1.5 | | V | |
| | | V _{CC} = 4.5 V | 3.15 | | 3.15 | | | |
| | | V _{CC} = 6 V | 4.2 | | 4.2 | | | |
| V _{IL} | Low-level input voltage | V _{CC} = 2 V | 0.5 | | 0.5 | | V | |
| | | V _{CC} = 4.5 V | 1.35 | | 1.35 | | | |
| | | V _{CC} = 6 V | 1.8 | | 1.8 | | | |
| V _I | Input voltage | 0 | V _{CC} | | 0 | V _{CC} | | V |
| V _O | Output voltage | 0 | V _{CC} | | 0 | V _{CC} | | V |
| Δt/Δv ⁽²⁾ | Input transition rise/fall time | V _{CC} = 2 V | 1000 | | 1000 | | ns | |
| | | V _{CC} = 4.5 V | 500 | | 500 | | | |
| | | V _{CC} = 6 V | 400 | | 400 | | | |
| T _A | Operating free-air temperature | -55 | 125 | | -40 | 85 | | °C |

- (1) All unused inputs of the device must be held at V_{CC} or GND to ensure proper device operation. Refer to the TI application report, *Implications of Slow or Floating CMOS Inputs*, literature number [SCBA004](#).
- (2) If this device is used in the threshold region (from V_{IL}max = 0.5 V to V_{IH}min = 1.5 V), there is a potential to go into the wrong state from induced grounding, causing double clocking. Operating with the inputs at t_i = 1000 ns and V_{CC} = 2 V does not damage the device; however, functionally, the CLK inputs are not ensured while in the shift, count, or toggle operating modes.

5.3 Thermal Information

| THERMAL METRIC | | D (SOIC) | DB (SSOP) | N (PDIP) | NS (SO) | PW (TSSOP) | UNIT |
|------------------|---|----------|-----------|----------|---------|------------|------|
| | | 16 PINS | 16 PINS | 16 PINS | 16 PINS | 16 PINS | |
| R _{θJA} | Junction-to-ambient thermal resistance ⁽¹⁾ | 73 | 82 | 67 | 64 | 108 | °C/W |

- (1) For more information about traditional and new thermal metrics, see the [Semiconductor and IC package thermal metrics](#) application report.

顶点光电子商城
<https://www.vertex-icbuy.com/>

5.4 Electrical Characteristics

over recommended operating free-air temperature range (unless otherwise noted)

| PARAMETER | TEST CONDITIONS ⁽¹⁾ | V _{CC} (V) | T _A = 25°C | | | SN54HC166 | | SN74HC166 | | UNIT |
|-----------------|---|---------------------|-----------------------|-------|------|-----------|-------|-----------|-------|------|
| | | | MIN | TYP | MAX | MIN | MAX | MIN | MAX | |
| V _{OH} | I _{OH} = -20 μA | 2 | 1.9 | 1.998 | | 1.9 | | 1.9 | V | |
| | | 4.5 | 4.4 | 4.499 | | 4.4 | | 4.4 | | |
| | | 6 | 5.9 | 5.999 | | 5.9 | | 5.9 | | |
| | I _{OH} = -4 mA | 4.5 | 3.98 | 4.3 | | 3.7 | | 3.84 | | |
| | I _{OH} = -5.2 mA | 6 | 5.48 | 5.8 | | 5.2 | | 5.34 | | |
| V _{OL} | I _{OL} = 20 μA | 2 | | 0.002 | 0.1 | | 0.1 | | 0.1 | |
| | | 4.5 | | 0.001 | 0.1 | | 0.1 | | 0.1 | |
| | | 6 | | 0.001 | 0.1 | | 0.1 | | 0.1 | |
| | I _{OL} = 4 mA | 4.5 | | 0.17 | 0.26 | | 0.4 | | 0.33 | |
| | I _{OL} = 5.2 mA | 6 | | 0.15 | 0.26 | | 0.4 | | 0.33 | |
| I _I | V _I = V _{CC} or 0 | 6 | | ±0.1 | ±100 | | ±1000 | | ±1000 | nA |
| I _{CC} | V _I = V _{CC} or 0, I _O = 0 | 6 | | | 8 | | 160 | | 80 | μA |
| C _i | | 2 to 6 | | 3 | 10 | | 10 | | 10 | pF |

(1) V_I = V_{IH} or V_{IL}, unless otherwise noted.

5.5 Timing Requirements

over recommended operating free-air temperature range (unless otherwise noted)

| | | | V _{CC} (V) | T _A = 25°C | | SN54HC166 | | SN74HC166 | | UNIT |
|--------------------|--|---|---------------------|-----------------------|-----|-----------|-----|-----------|-----|------|
| | | | | MIN | MAX | MIN | MAX | MIN | MAX | |
| f _{clock} | Clock frequency | | 2 | 6 | | 4.2 | | 5 | | MHz |
| | | | 4.5 | 31 | | 21 | | 25 | | |
| | | | 6 | 36 | | 25 | | 29 | | |
| t _w | Pulse duration | CLR low | 2 | 100 | | 150 | | 125 | | ns |
| | | | 4.5 | 20 | | 30 | | 25 | | |
| | | | 6 | 17 | | 26 | | 21 | | |
| | CLK high or low | 2 | 80 | | 120 | | 100 | | | |
| | | 4.5 | 16 | | 24 | | 20 | | | |
| | | 6 | 14 | | 20 | | 17 | | | |
| t _{su} | Setup time | SH/ $\overline{\text{LD}}$ high before CLK \uparrow | 2 | 145 | | 220 | | 180 | | ns |
| | | | 4.5 | 29 | | 44 | | 36 | | |
| | | | 6 | 25 | | 38 | | 31 | | |
| | | SER before CLK \uparrow | 2 | 80 | | 120 | | 100 | | |
| | | | 4.5 | 16 | | 24 | | 20 | | |
| | | | 6 | 14 | | 20 | | 17 | | |
| | | CLK INH low before CLK \uparrow | 2 | 100 | | 150 | | 125 | | |
| | | | 4.5 | 20 | | 30 | | 25 | | |
| | | | 6 | 17 | | 26 | | 21 | | |
| | Data before CLK \uparrow | 2 | 80 | | 120 | | 100 | | | |
| | | 4.5 | 16 | | 24 | | 20 | | | |
| | | 6 | 14 | | 20 | | 17 | | | |
| | $\overline{\text{CLR}}$ inactive before CLK \uparrow | 2 | 40 | | 60 | | 50 | | | |
| | | 4.5 | 8 | | 12 | | 10 | | | |
| | | 6 | 7 | | 10 | | 9 | | | |
| t _h | Hold time | SH/ $\overline{\text{LD}}$ high after CLK \uparrow | 2 | 0 | | 0 | | 0 | | ns |
| | | | 4.5 | 0 | | 0 | | 0 | | |
| | | | 6 | 0 | | 0 | | 0 | | |
| | | SER after CLK \uparrow | 2 | 5 | | 5 | | 5 | | |
| | | | 4.5 | 5 | | 5 | | 5 | | |
| | | | 6 | 5 | | 5 | | 5 | | |
| | | CLK INH high after CLK \uparrow | 2 | 0 | | 0 | | 0 | | |
| | | | 4.5 | 0 | | 0 | | 0 | | |
| | | | 6 | 0 | | 0 | | 0 | | |
| | | Data after CLK \uparrow | 2 | 5 | | 5 | | 5 | | |
| | | | 4.5 | 5 | | 5 | | 5 | | |
| | | | 6 | 5 | | 5 | | 5 | | |

顶点光电子商城
<https://www.vertex-icbuy.com/>

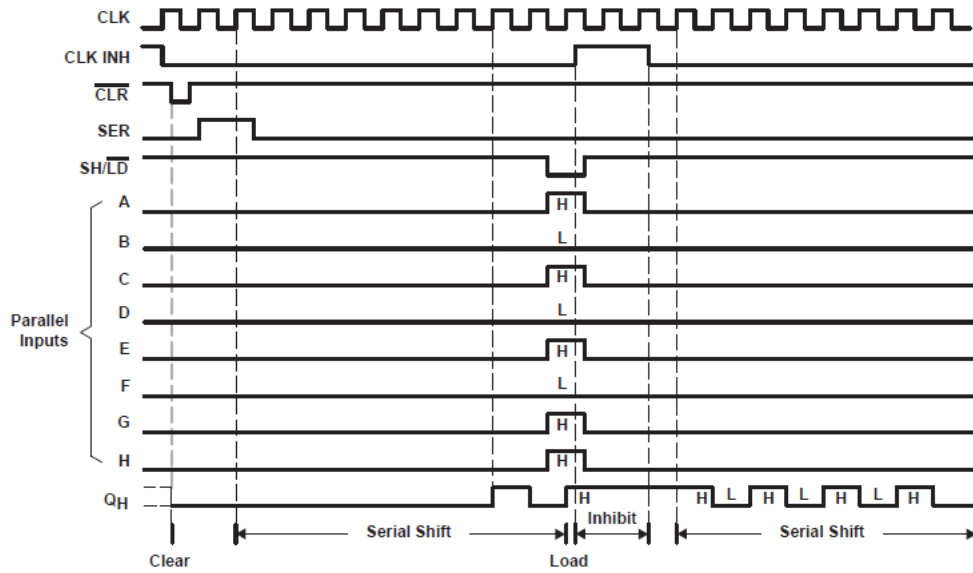


Figure 5-1. Typical Clear, Shift, Load, Inhibit, and Shift Sequence

5.6 Switching Characteristics

over recommended operating free-air temperature range, $C_L = 50 \text{ pF}$ (unless otherwise noted) (see Figure 6)

| PARAMETER | FROM (INPUT) | TO (OUTPUT) | $V_{CC} \text{ (V)}$ | $T_A = 25^\circ\text{C}$ | | | SN54HC166 | | SN74HC166 | | UNIT |
|-----------|------------------|-------------|----------------------|--------------------------|-----|-----|-----------|-----|-----------|-----|------|
| | | | | MIN | TYP | MAX | MIN | MAX | MIN | MAX | |
| f_{max} | | | 2 | 6 | 11 | | 4.2 | | 5 | MHz | |
| | | | 4.5 | 31 | 36 | | 21 | | 25 | | |
| | | | 6 | 36 | 45 | | 25 | | 29 | | |
| t_{PHL} | \overline{CLR} | Q_H | 2 | | 62 | 120 | | 180 | | 150 | ns |
| | | | 4.5 | | 18 | 24 | | 36 | | 30 | |
| | | | 6 | | 13 | 20 | | 31 | | 26 | |
| t_{pd} | CLK | Q_H | 2 | | 75 | 150 | | 225 | | 190 | ns |
| | | | 4.5 | | 15 | 30 | | 45 | | 38 | |
| | | | 6 | | 13 | 26 | | 38 | | 32 | |
| t_t | | Any | 2 | | 38 | 75 | | 110 | | 95 | ns |
| | | | 4.5 | | 8 | 15 | | 22 | | 19 | |
| | | | 6 | | 6 | 13 | | 19 | | 16 | |

5.7 Operating Characteristics

$T_A = 25^\circ\text{C}$

| PARAMETER | TEST CONDITIONS | TYP | UNIT |
|-----------|--|-----|------|
| C_{pd} | Power dissipation capacitance No load | 50 | pF |

顶点光电子商城
<https://www.vertex-icbuy.com/>

6 Parameter Measurement Information

t_{pd} is the maximum between t_{PLH} and t_{PHL}

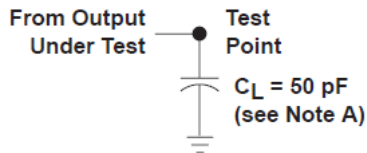


Figure 6-1. Load Circuit

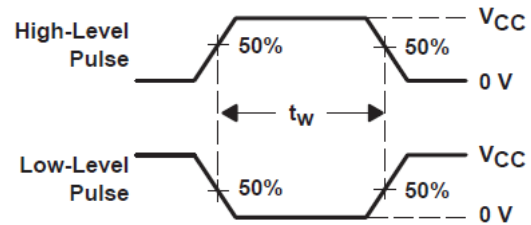


Figure 6-2. Voltage Waveforms Pulse Durations

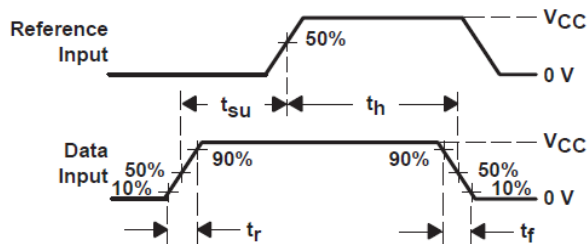


Figure 6-3. Voltage Waveforms Setup and Hold and Input Rise and Fall Times

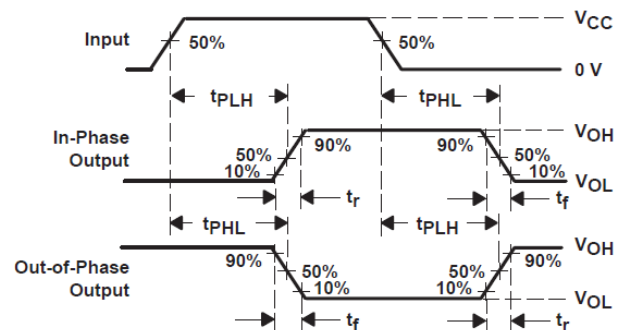


Figure 6-4. Voltage Waveforms Propagation Delay and Output Transition Times

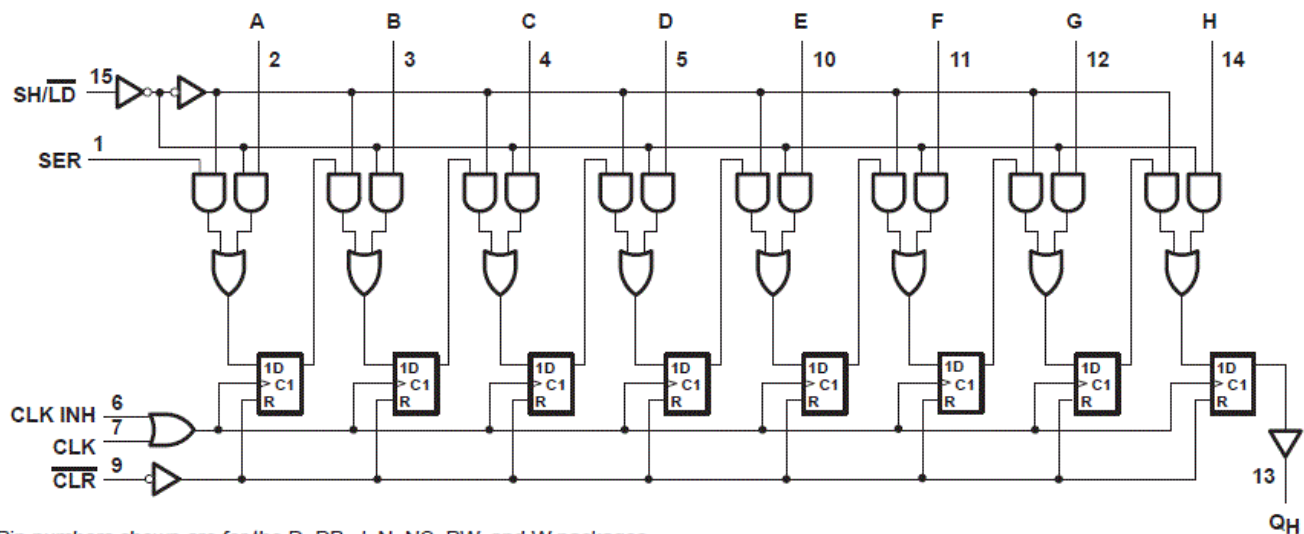
- A. C_L includes probe and jig capacitance.
- B. Phase relationships between waveforms were chosen arbitrarily. All input pulses are supplied by generators having the following characteristics: $PRR \leq 1 \text{ MHz}$, $Z_O = 50 \Omega$, $t_r = 6 \text{ ns}$, $t_f = 6 \text{ ns}$.
- C. For clock inputs, f_{max} is measured when the input duty cycle is 50%
- D. The outputs are measured one at a time with one input transition per measurement.

7 Detailed Description

7.1 Overview

These parallel-in or serial-in, serial-out registers feature gated clock (CLK, CLK INH) inputs and an overriding clear (CLR) input. The parallel-in or serial-in modes are established by the shift/load (SH/LD) input. When high, SH/LD enables the serial (SER) data input and couples the eight flip-flops for serial shifting with each clock (CLK) pulse. When low, the parallel (broadside) data inputs are enabled, and synchronous loading occurs on the next clock pulse. During parallel loading, serial data flow is inhibited. Clocking is accomplished on the low-to-high-level edge of CLK through a 2-input positive-NOR gate, permitting one input to be used as a clock-enable or clock-inhibit function. Holding either CLK or CLK INH high inhibits clocking; holding either low enables the other clock input. This allows the system clock to be free running, and the register can be stopped on command with the other clock input. CLK INH should be changed to the high level only when CLK is high. CLR overrides all other inputs, including CLK, and resets all flip-flops to zero.

7.2 Functional Block Diagram



Pin numbers shown are for the D, DB, J, N, NS, PW, and W packages.

7.3 Device Functional Modes

Table 7-1. Function Table

| INPUTS | | | | | | OUTPUTS | | |
|--------|-------|---------|-----|-----|----------------|----------|-----|-----|
| CLR | SH/LD | CLK INH | CLK | SER | PARALLEL A...H | INTERNAL | | QH |
| | | | | | | QA | QB | |
| L | X | X | X | X | X | L | L | L |
| H | X | L | L | X | X | QA0 | QB0 | QH0 |
| H | L | L | ↑ | X | a...h | a | b | h |
| H | H | L | ↑ | H | X | H | QAn | QGn |
| H | H | L | ↑ | L | X | L | QAn | QGn |
| H | X | H | ↑ | X | X | QA0 | QB0 | QH0 |

8 Power Supply Recommendations

The power supply can be any voltage between the minimum and maximum supply voltage rating located in the *Recommended Operating Conditions*. Each V_{CC} terminal should have a good bypass capacitor to prevent power disturbance. A 0.1- μF capacitor is recommended for this device. It is acceptable to parallel multiple bypass caps to reject different frequencies of noise. The 0.1- μF and 1- μF capacitors are commonly used in parallel. The bypass capacitor should be installed as close to the power terminal as possible for best results.

9 Layout

9.1 Layout Guidelines

When using multiple-input and multiple-channel logic devices inputs must not ever be left floating. In many cases, functions or parts of functions of digital logic devices are unused; for example, when only two inputs of a triple-input AND gate are used or only 3 of the 4 buffer gates are used. Such unused input pins must not be left unconnected because the undefined voltages at the outside connections result in undefined operational states. All unused inputs of digital logic devices must be connected to a logic high or logic low voltage, as defined by the input voltage specifications, to prevent them from floating. The logic level that must be applied to any particular unused input depends on the function of the device. Generally, the inputs are tied to GND or V_{CC} , whichever makes more sense for the logic function or is more convenient.

顶点光电子商城
<https://www.vertex-icbuy.com/>

10 Device and Documentation Support

TI offers an extensive line of development tools. Tools and software to evaluate the performance of the device, generate code, and develop solutions are listed below.

10.1 Receiving Notification of Documentation Updates

To receive notification of documentation updates, navigate to the device product folder on [ti.com](https://www.ti.com). Click on *Subscribe to updates* to register and receive a weekly digest of any product information that has changed. For change details, review the revision history included in any revised document.

10.2 Support Resources

TI E2E™ [support forums](#) are an engineer's go-to source for fast, verified answers and design help — straight from the experts. Search existing answers or ask your own question to get the quick design help you need.

Linked content is provided "AS IS" by the respective contributors. They do not constitute TI specifications and do not necessarily reflect TI's views; see TI's [Terms of Use](#).

10.3 Trademarks

TI E2E™ is a trademark of Texas Instruments.

All trademarks are the property of their respective owners.

10.4 Electrostatic Discharge Caution



This integrated circuit can be damaged by ESD. Texas Instruments recommends that all integrated circuits be handled with appropriate precautions. Failure to observe proper handling and installation procedures can cause damage.

ESD damage can range from subtle performance degradation to complete device failure. Precision integrated circuits may be more susceptible to damage because very small parametric changes could cause the device not to meet its published specifications.

10.5 Glossary

[TI Glossary](#) This glossary lists and explains terms, acronyms, and definitions.

11 Mechanical, Packaging, and Orderable Information

The following pages include mechanical, packaging, and orderable information. This information is the most current data available for the designated devices. This data is subject to change without notice and revision of this document. For browser-based versions of this data sheet, refer to the left-hand navigation.

顶点光电子商城
<https://www.vertex-icbuy.com/>

PACKAGING INFORMATION

| Orderable Device | Status (1) | Package Type | Package Drawing | Pins | Package Qty | Eco Plan (2) | Lead finish/ Ball material (6) | MSL Peak Temp (3) | Op Temp (°C) | Device Marking (4/5) | Samples |
|------------------|---------------|--------------|-----------------|------|-------------|------------------|--------------------------------------|----------------------|--------------|-------------------------------------|---------|
| 5962-9050101Q2A | ACTIVE | LCCC | FK | 20 | 1 | Non-RoHS & Green | SNPB | N / A for Pkg Type | -55 to 125 | 5962-9050101Q2A SNJ54HC 166FK | Samples |
| 5962-9050101QEA | ACTIVE | CDIP | J | 16 | 1 | Non-RoHS & Green | SNPB | N / A for Pkg Type | -55 to 125 | 5962-9050101QE A SNJ54HC166J | Samples |
| 5962-9050101VEA | ACTIVE | CDIP | J | 16 | 1 | Non-RoHS & Green | SNPB | N / A for Pkg Type | -55 to 125 | 5962-9050101VE A SNV54HC166J | Samples |
| SN54HC166J | ACTIVE | CDIP | J | 16 | 1 | Non-RoHS & Green | SNPB | N / A for Pkg Type | -55 to 125 | SN54HC166J | Samples |
| SN74HC166D | ACTIVE | SOIC | D | 16 | 40 | RoHS & Green | NIPDAU | Level-1-260C-UNLIM | -40 to 85 | HC166 | Samples |
| SN74HC166DBR | ACTIVE | SSOP | DB | 16 | 2000 | RoHS & Green | NIPDAU | Level-1-260C-UNLIM | -40 to 85 | HC166 | Samples |
| SN74HC166DR | ACTIVE | SOIC | D | 16 | 2500 | RoHS & Green | NIPDAU SN | Level-1-260C-UNLIM | -40 to 85 | HC166 | Samples |
| SN74HC166DRE4 | ACTIVE | SOIC | D | 16 | 2500 | RoHS & Green | NIPDAU | Level-1-260C-UNLIM | -40 to 85 | HC166 | Samples |
| SN74HC166DRG4 | ACTIVE | SOIC | D | 16 | 2500 | RoHS & Green | NIPDAU | Level-1-260C-UNLIM | -40 to 85 | HC166 | Samples |
| SN74HC166N | ACTIVE | PDIP | N | 16 | 25 | RoHS & Green | NIPDAU | N / A for Pkg Type | -40 to 85 | SN74HC166N | Samples |
| SN74HC166NSR | ACTIVE | SO | NS | 16 | 2000 | RoHS & Green | NIPDAU | Level-1-260C-UNLIM | -40 to 85 | HC166 | Samples |
| SN74HC166PW | ACTIVE | TSSOP | PW | 16 | 90 | RoHS & Green | NIPDAU | Level-1-260C-UNLIM | -40 to 85 | HC166 | Samples |
| SN74HC166PWG4 | ACTIVE | TSSOP | PW | 16 | 90 | RoHS & Green | NIPDAU | Level-1-260C-UNLIM | -40 to 85 | HC166 | Samples |
| SN74HC166PWR | ACTIVE | TSSOP | PW | 16 | 2000 | RoHS & Green | NIPDAU SN | Level-1-260C-UNLIM | -40 to 85 | HC166 | Samples |
| SN74HC166PWT | ACTIVE | TSSOP | PW | 16 | 250 | RoHS & Green | NIPDAU | Level-1-260C-UNLIM | -40 to 85 | HC166 | Samples |
| SNJ54HC166FK | ACTIVE | LCCC | FK | 20 | 1 | Non-RoHS & Green | SNPB | N / A for Pkg Type | -55 to 125 | 5962-9050101Q2A SNJ54HC 166FK | Samples |

顶点光电子商城
<https://www.vertex-icbuy.com/>

| Orderable Device | Status (1) | Package Type | Package Drawing | Pins | Package Qty | Eco Plan (2) | Lead finish/ Ball material (6) | MSL Peak Temp (3) | Op Temp (°C) | Device Marking (4/5) | Samples |
|------------------|---------------|--------------|-----------------|------|-------------|---------------------|--------------------------------------|----------------------|--------------|------------------------------------|---------|
| SNJ54HC166J | ACTIVE | CDIP | J | 16 | 1 | Non-RoHS & Green | SNPB | N / A for Pkg Type | -55 to 125 | 5962-9050101QE A SNJ54HC166J | Samples |

(1) The marketing status values are defined as follows:

ACTIVE: Product device recommended for new designs.

LIFEBUY: TI has announced that the device will be discontinued, and a lifetime-buy period is in effect.

NRND: Not recommended for new designs. Device is in production to support existing customers, but TI does not recommend using this part in a new design.

PREVIEW: Device has been announced but is not in production. Samples may or may not be available.

OBSELETE: TI has discontinued the production of the device.

(2) **RoHS:** TI defines "RoHS" to mean semiconductor products that are compliant with the current EU RoHS requirements for all 10 RoHS substances, including the requirement that RoHS substance do not exceed 0.1% by weight in homogeneous materials. Where designed to be soldered at high temperatures, "RoHS" products are suitable for use in specified lead-free processes. TI may reference these types of products as "Pb-Free".

RoHS Exempt: TI defines "RoHS Exempt" to mean products that contain lead but are compliant with EU RoHS pursuant to a specific EU RoHS exemption.

Green: TI defines "Green" to mean the content of Chlorine (Cl) and Bromine (Br) based flame retardants meet JS709B low halogen requirements of <=100ppm threshold. Antimony trioxide based flame retardants must also meet the <=1000ppm threshold requirement.

(3) MSL, Peak Temp. - The Moisture Sensitivity Level rating according to the JEDEC industry standard classifications, and peak solder temperature.

(4) There may be additional marking, which relates to the logo, the lot trace code information, or the environmental category on the device.

(5) Multiple Device Markings will be inside parentheses. Only one Device Marking contained in parentheses and separated by a "~" will appear on a device. If a line is indented then it is a continuation of the previous line and the two combined represent the entire Device Marking for that device.

(6) Lead finish/Ball material - Orderable Devices may have multiple material finish options. Finish options are separated by a vertical ruled line. Lead finish/Ball material values may wrap to two lines if the finish value exceeds the maximum column width.

Important Information and Disclaimer:The information provided on this page represents TI's knowledge and belief as of the date that it is provided. TI bases its knowledge and belief on information provided by third parties, and makes no representation or warranty as to the accuracy of such information. Efforts are underway to better integrate information from third parties. TI has taken and continues to take reasonable steps to provide representative and accurate information but may not have conducted destructive testing or chemical analysis on incoming materials and chemicals. TI and TI suppliers consider certain information to be proprietary, and thus CAS numbers and other limited information may not be available for release.

In no event shall TI's liability arising out of such information exceed the total purchase price of the TI part(s) at issue in this document sold by TI to Customer on an annual basis.

OTHER QUALIFIED VERSIONS OF SN54HC166, SN54HC166-SP, SN74HC166 :

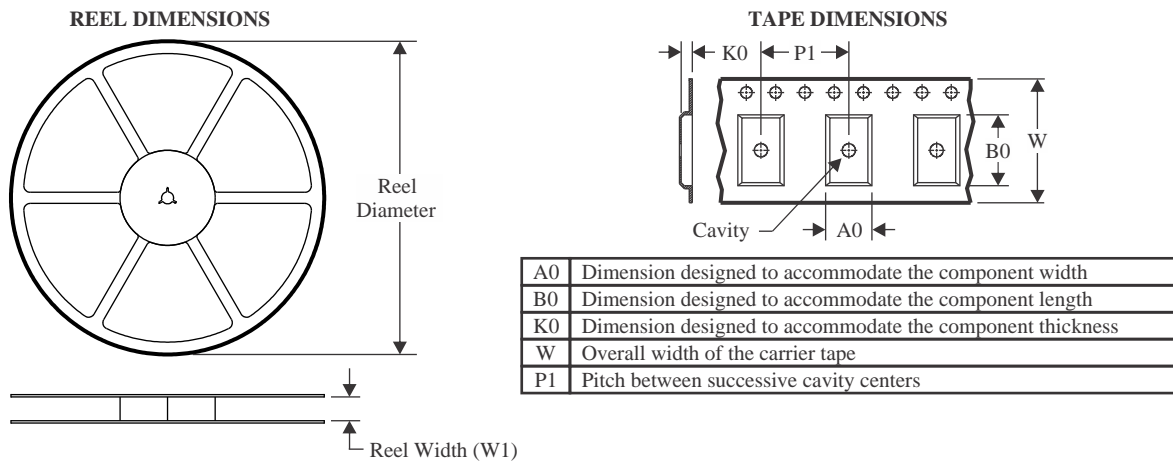
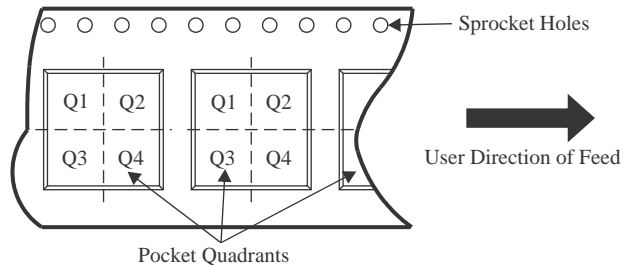
顶点光电子商城
<https://www.vertex-icbuy.com/>

- Catalog : [SN74HC166](#), [SN54HC166](#)
- Military : [SN54HC166](#)
- Space : [SN54HC166-SP](#)

NOTE: Qualified Version Definitions:

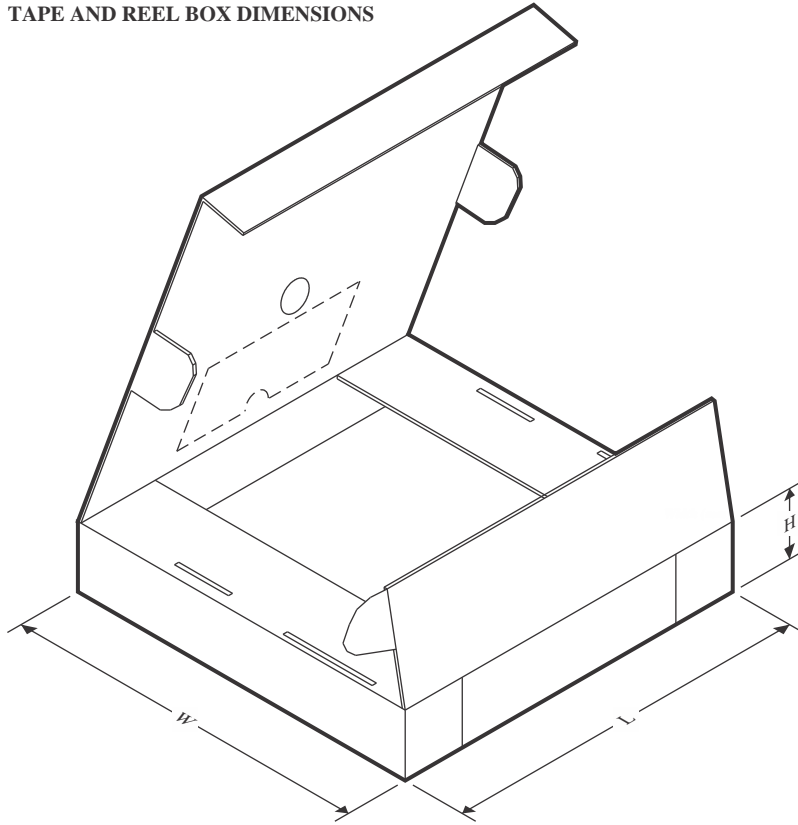
- Catalog - TI's standard catalog product
- Military - QML certified for Military and Defense Applications
- Space - Radiation tolerant, ceramic packaging and qualified for use in Space-based application

顶点光电子商城
<https://www.vertex-icbuy.com/>

TAPE AND REEL INFORMATION

QUADRANT ASSIGNMENTS FOR PIN 1 ORIENTATION IN TAPE


*All dimensions are nominal

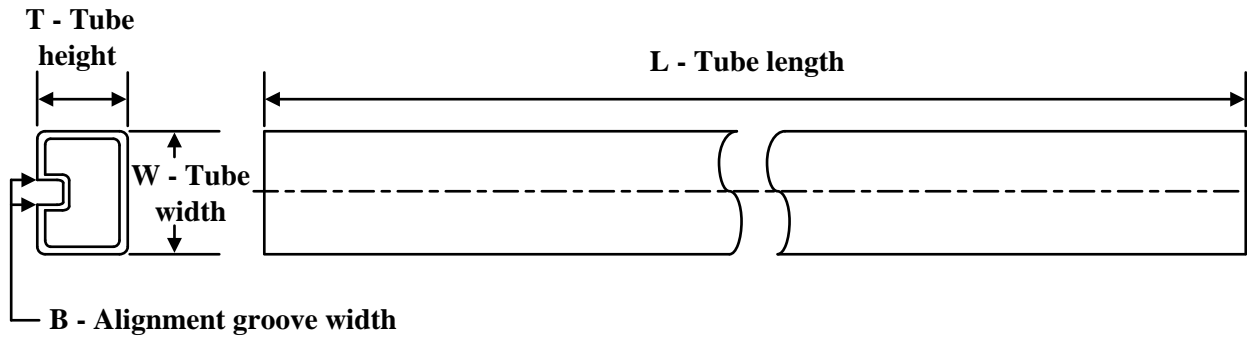
| Device | Package Type | Package Drawing | Pins | SPQ | Reel Diameter (mm) | Reel Width W1 (mm) | A0 (mm) | B0 (mm) | K0 (mm) | P1 (mm) | W (mm) | Pin1 Quadrant |
|---------------|--------------|-----------------|------|------|--------------------|--------------------|---------|---------|---------|---------|--------|---------------|
| SN74HC166DBR | SSOP | DB | 16 | 2000 | 330.0 | 16.4 | 8.35 | 6.6 | 2.4 | 12.0 | 16.0 | Q1 |
| SN74HC166DR | SOIC | D | 16 | 2500 | 330.0 | 16.4 | 6.5 | 10.3 | 2.1 | 8.0 | 16.0 | Q1 |
| SN74HC166DR | SOIC | D | 16 | 2500 | 330.0 | 16.8 | 6.5 | 10.3 | 2.1 | 8.0 | 16.0 | Q1 |
| SN74HC166DR | SOIC | D | 16 | 2500 | 330.0 | 16.4 | 6.6 | 9.3 | 2.1 | 8.0 | 16.0 | Q1 |
| SN74HC166DRG4 | SOIC | D | 16 | 2500 | 330.0 | 16.4 | 6.5 | 10.3 | 2.1 | 8.0 | 16.0 | Q1 |
| SN74HC166NSR | SO | NS | 16 | 2000 | 330.0 | 16.4 | 8.45 | 10.55 | 2.5 | 12.0 | 16.2 | Q1 |
| SN74HC166NSR | SO | NS | 16 | 2000 | 330.0 | 16.4 | 8.2 | 10.5 | 2.5 | 12.0 | 16.0 | Q1 |
| SN74HC166PWR | TSSOP | PW | 16 | 2000 | 330.0 | 12.4 | 6.9 | 5.6 | 1.6 | 8.0 | 12.0 | Q1 |
| SN74HC166PWR | TSSOP | PW | 16 | 2000 | 330.0 | 12.4 | 6.9 | 5.6 | 1.6 | 8.0 | 12.0 | Q1 |
| SN74HC166PWR | TSSOP | PW | 16 | 2000 | 330.0 | 12.4 | 6.85 | 5.45 | 1.6 | 8.0 | 12.0 | Q1 |
| SN74HC166PWT | TSSOP | PW | 16 | 250 | 330.0 | 12.4 | 6.9 | 5.6 | 1.6 | 8.0 | 12.0 | Q1 |

TAPE AND REEL BOX DIMENSIONS


*All dimensions are nominal

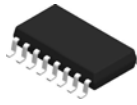
| Device | Package Type | Package Drawing | Pins | SPQ | Length (mm) | Width (mm) | Height (mm) |
|---------------|--------------|-----------------|------|------|-------------|------------|-------------|
| SN74HC166DBR | SSOP | DB | 16 | 2000 | 356.0 | 356.0 | 35.0 |
| SN74HC166DR | SOIC | D | 16 | 2500 | 340.5 | 336.1 | 32.0 |
| SN74HC166DR | SOIC | D | 16 | 2500 | 364.0 | 364.0 | 27.0 |
| SN74HC166DR | SOIC | D | 16 | 2500 | 366.0 | 364.0 | 50.0 |
| SN74HC166DRG4 | SOIC | D | 16 | 2500 | 340.5 | 336.1 | 32.0 |
| SN74HC166NSR | SO | NS | 16 | 2000 | 356.0 | 356.0 | 35.0 |
| SN74HC166NSR | SO | NS | 16 | 2000 | 367.0 | 367.0 | 38.0 |
| SN74HC166PWR | TSSOP | PW | 16 | 2000 | 356.0 | 356.0 | 35.0 |
| SN74HC166PWR | TSSOP | PW | 16 | 2000 | 364.0 | 364.0 | 27.0 |
| SN74HC166PWR | TSSOP | PW | 16 | 2000 | 366.0 | 364.0 | 50.0 |
| SN74HC166PWT | TSSOP | PW | 16 | 250 | 356.0 | 356.0 | 35.0 |

顶点光电子商城
<https://www.vertex-icbuy.com/>

TUBE


*All dimensions are nominal

| Device | Package Name | Package Type | Pins | SPQ | L (mm) | W (mm) | T (μm) | B (mm) |
|-----------------|--------------|--------------|------|-----|--------|--------|--------|--------|
| 5962-9050101Q2A | FK | LCCC | 20 | 1 | 506.98 | 12.06 | 2030 | NA |
| SN74HC166D | D | SOIC | 16 | 40 | 507 | 8 | 3940 | 4.32 |
| SN74HC166N | N | PDIP | 16 | 25 | 506 | 13.97 | 11230 | 4.32 |
| SN74HC166N | N | PDIP | 16 | 25 | 506 | 13.97 | 11230 | 4.32 |
| SN74HC166PW | PW | TSSOP | 16 | 90 | 530 | 10.2 | 3600 | 3.5 |
| SN74HC166PWG4 | PW | TSSOP | 16 | 90 | 530 | 10.2 | 3600 | 3.5 |
| SNJ54HC166FK | FK | LCCC | 20 | 1 | 506.98 | 12.06 | 2030 | NA |

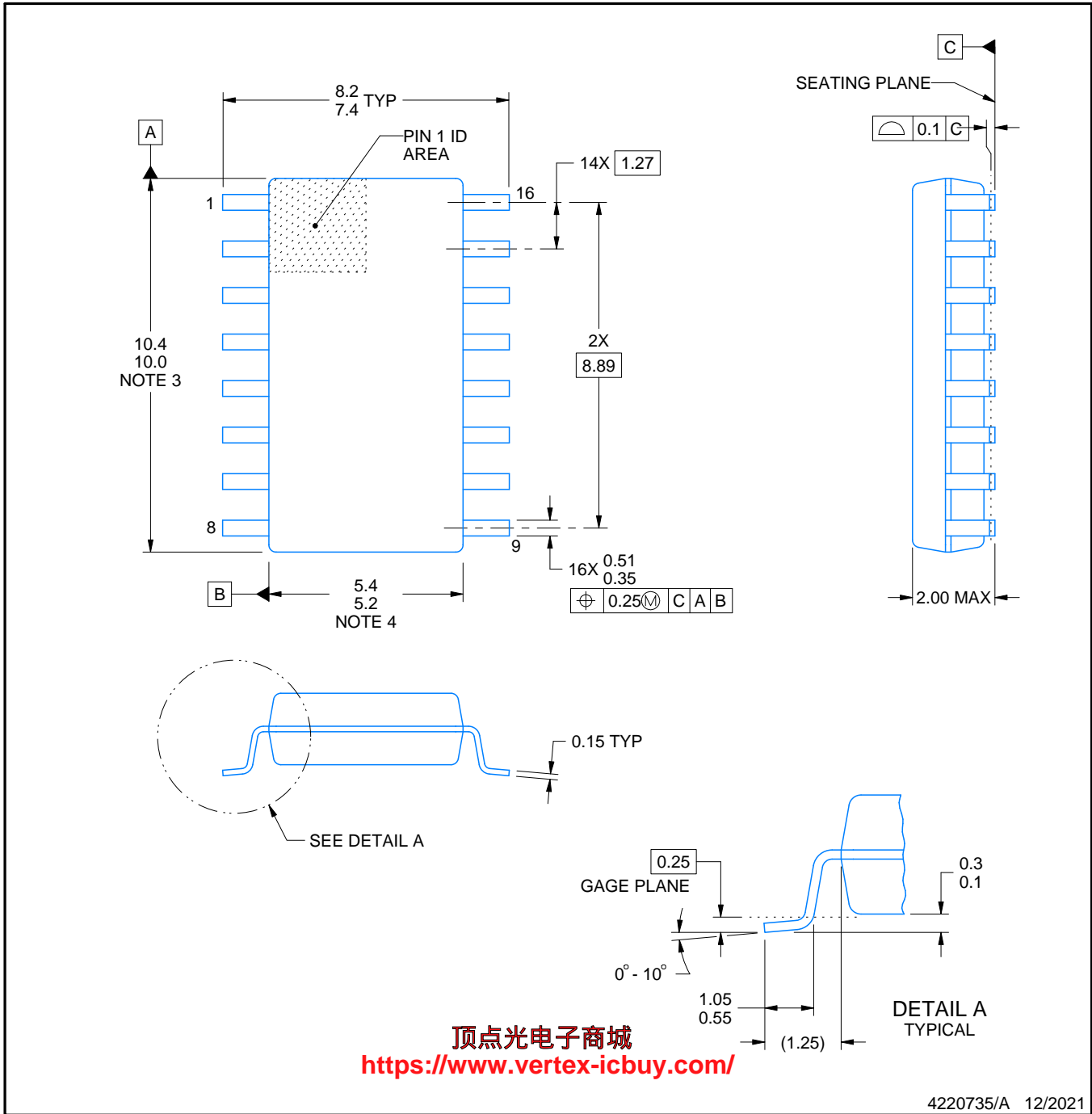


PACKAGE OUTLINE

NS0016A

SOP - 2.00 mm max height

SOP



NOTES:

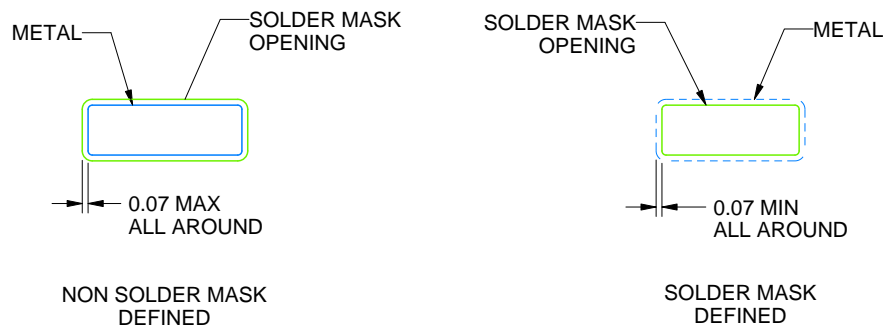
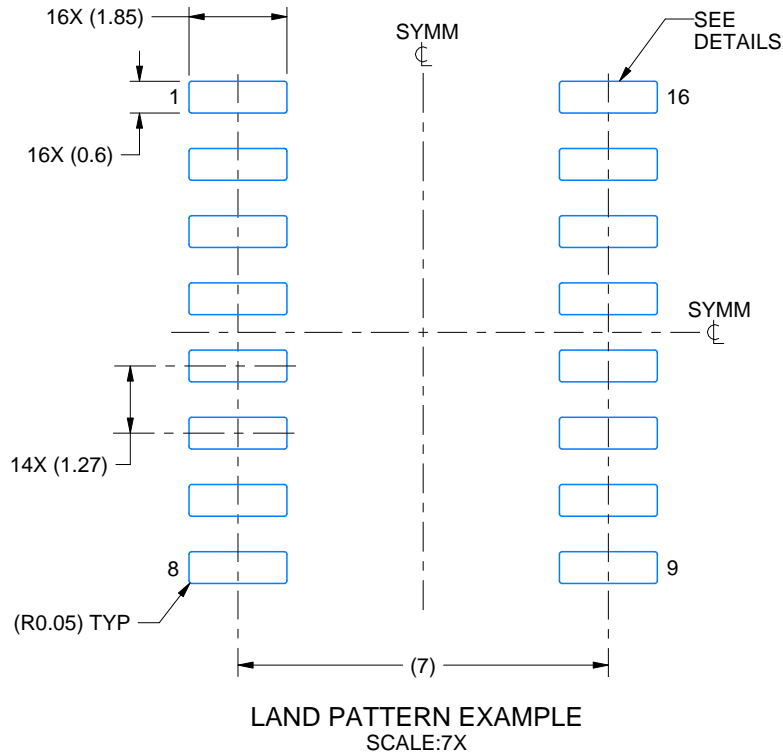
1. All linear dimensions are in millimeters. Dimensions in parenthesis are for reference only. Dimensioning and tolerancing per ASME Y14.5M.
2. This drawing is subject to change without notice.
3. This dimension does not include mold flash, protrusions, or gate burrs. Mold flash, protrusions, or gate burrs shall not exceed 0.15 mm, per side.
4. This dimension does not include interlead flash. Interlead flash shall not exceed 0.25 mm, per side.

EXAMPLE BOARD LAYOUT

NS0016A

SOP - 2.00 mm max height

SOP



SOLDER MASK DETAILS

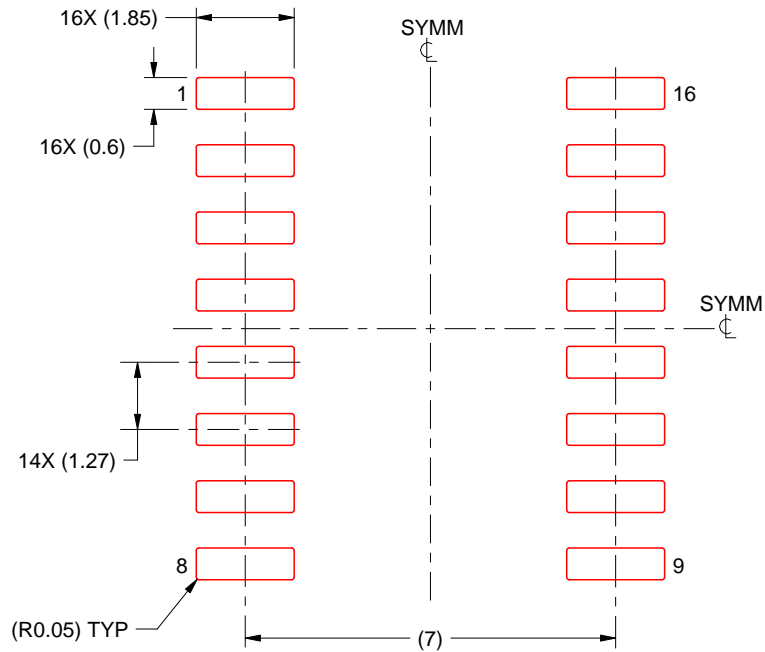
4220735/A 12/2021

NOTES: (continued)

5. Publication IPC-7351 may have alternate designs.

6. Solder mask tolerances between and around signal pads can vary based on board fabrication site.

顶点光电子商城
<https://www.vertex-icbuy.com/>



SOLDER PASTE EXAMPLE
BASED ON 0.125 mm THICK STENCIL
SCALE:7X

4220735/A 12/2021

NOTES: (continued)

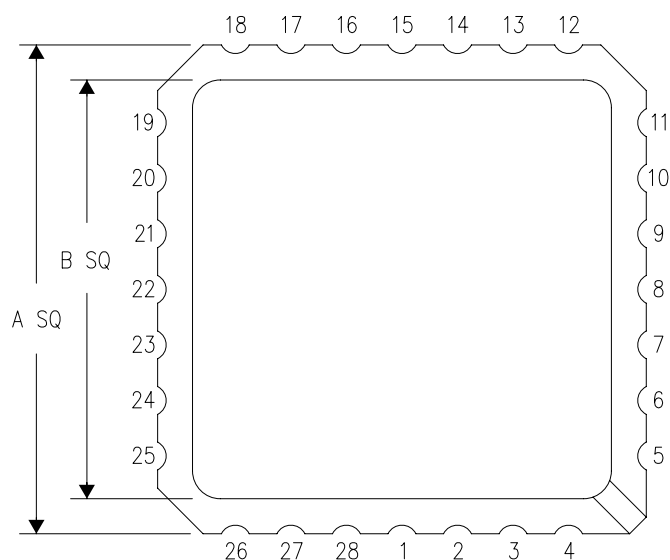
- 7. Laser cutting apertures with trapezoidal walls and rounded corners may offer better paste release. IPC-7525 may have alternate design recommendations.
- 8. Board assembly site may have different recommendations for stencil design.

顶点光电子商城
<https://www.vertex-icbuy.com/>

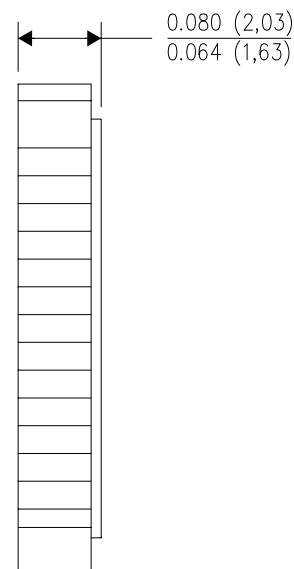
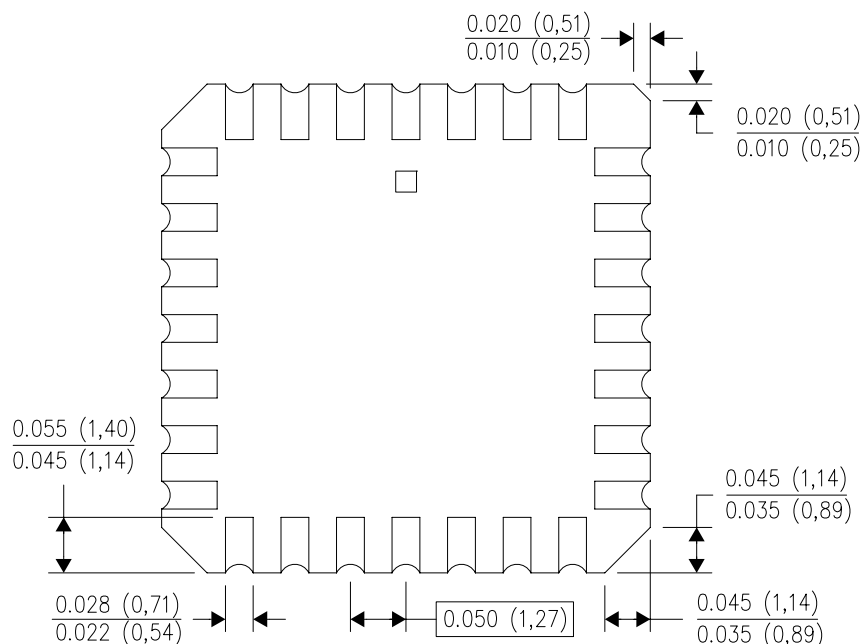
FK (S-CQCC-N**)

LEADLESS CERAMIC CHIP CARRIER

28 TERMINAL SHOWN



| NO. OF TERMINALS ** | A | | B | |
|---------------------|------------------|------------------|------------------|------------------|
| | MIN | MAX | MIN | MAX |
| 20 | 0.342 (8,69) | 0.358 (9,09) | 0.307 (7,80) | 0.358 (9,09) |
| 28 | 0.442 (11,23) | 0.458 (11,63) | 0.406 (10,31) | 0.458 (11,63) |
| 44 | 0.640 (16,26) | 0.660 (16,76) | 0.495 (12,58) | 0.560 (14,22) |
| 52 | 0.740 (18,78) | 0.761 (19,32) | 0.495 (12,58) | 0.560 (14,22) |
| 68 | 0.938 (23,83) | 0.962 (24,43) | 0.850 (21,6) | 0.858 (21,8) |
| 84 | 1.141 (28,99) | 1.165 (29,59) | 1.047 (26,6) | 1.063 (27,0) |



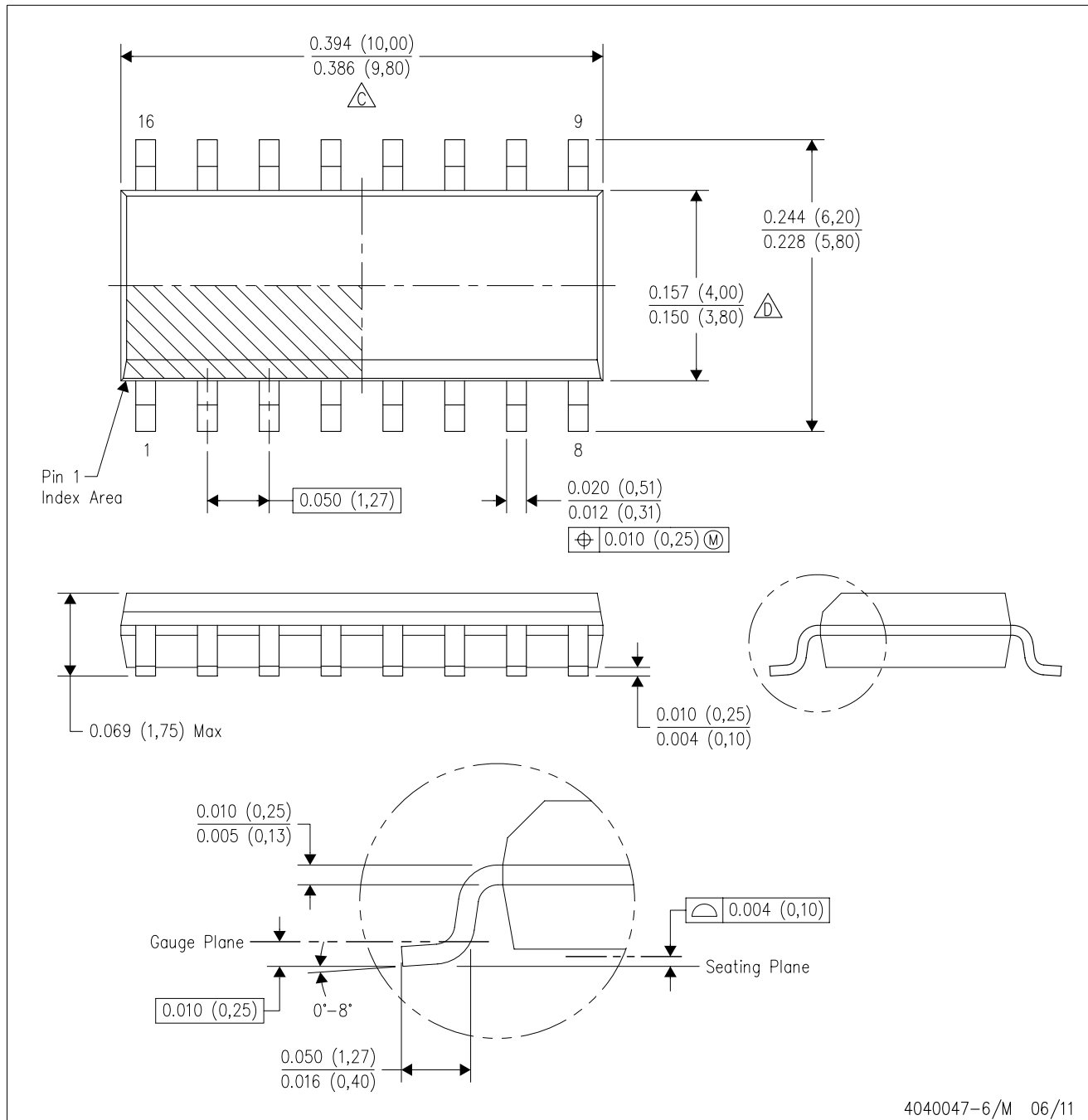
4040140/D 01/11

- NOTES:
- All linear dimensions are in inches (millimeters).
 - This drawing is subject to change without notice.
 - This package can be hermetically sealed with a metal lid.
 - Falls within JEDEC MS-004



顶点光电子商城
<https://www.vertex-icbuy.com/>

D (R-PDSO-G16)

PLASTIC SMALL OUTLINE



4040047-6/M 06/11

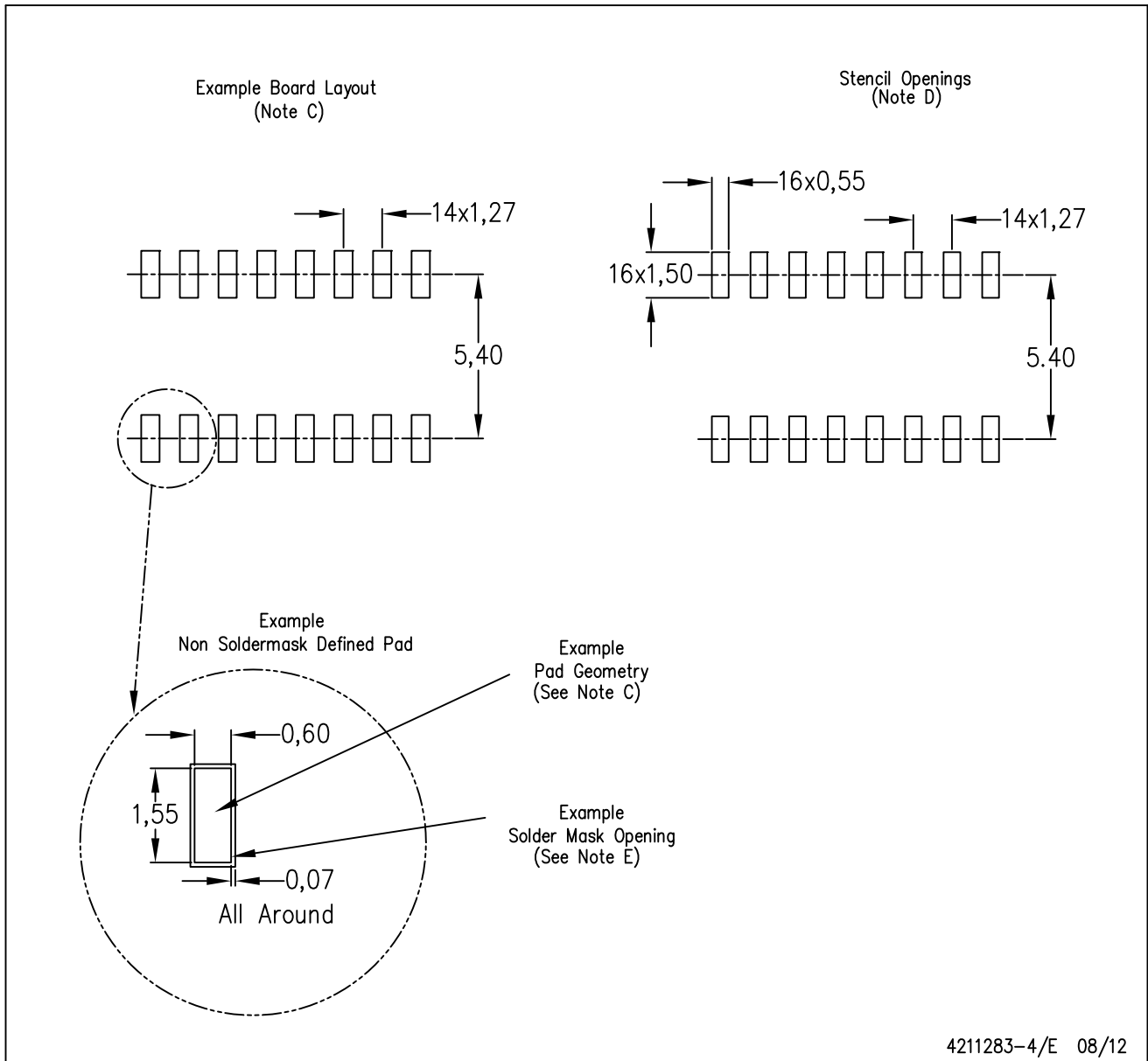
- NOTES:
- A. All linear dimensions are in inches (millimeters).
 - B. This drawing is subject to change without notice.
 -  Body length does not include mold flash, protrusions, or gate burrs. Mold flash, protrusions, or gate burrs shall not exceed 0.006 (0,15) each side.
 -  Body width does not include interlead flash. Interlead flash shall not exceed 0.017 (0,43) each side.
 - E. Reference JEDEC MS-012 variation AC.

顶点光电子商城

<https://www.vertex-icbuy.com/>

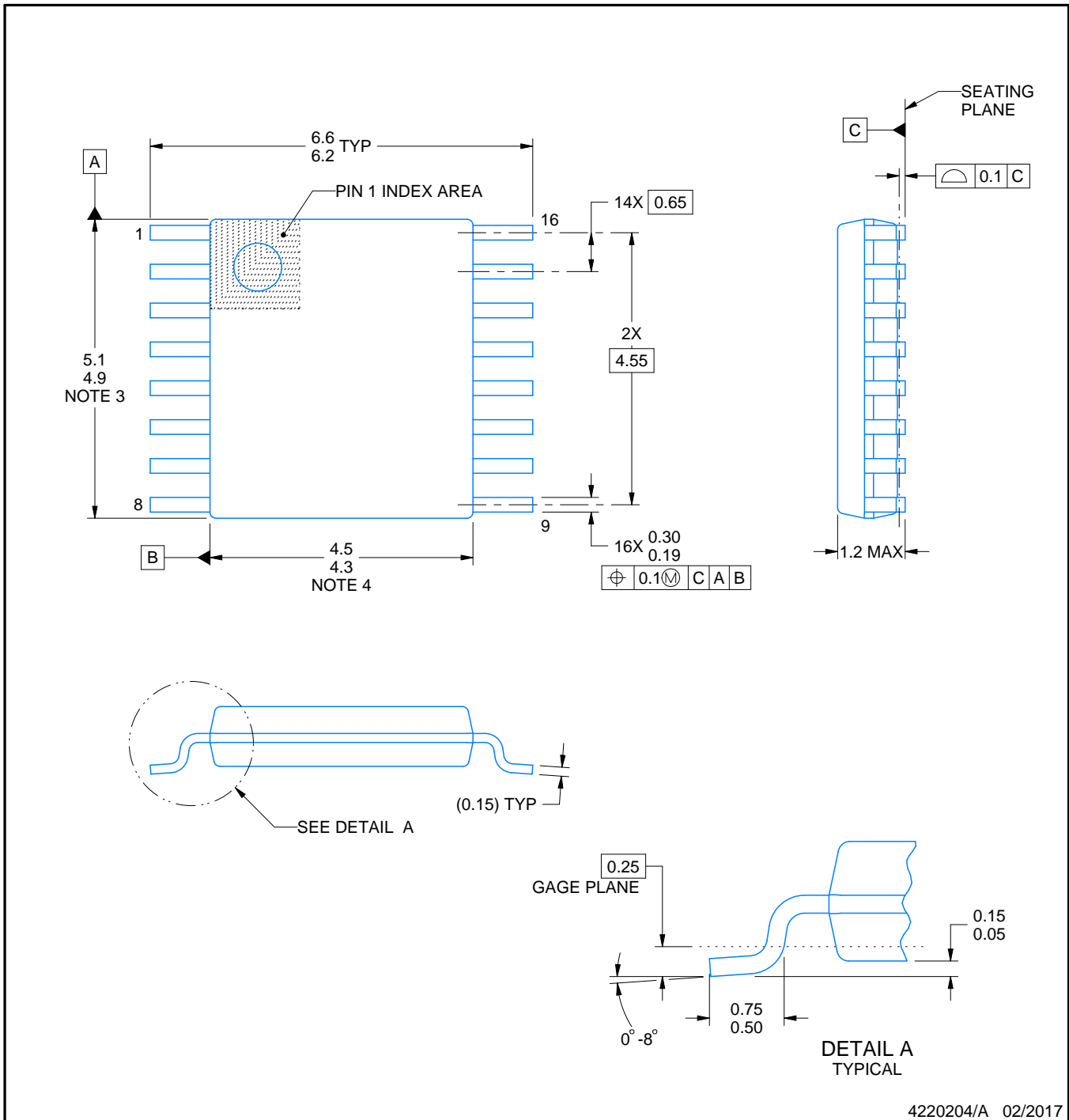
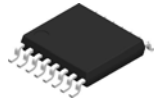
D (R-PDSO-G16)

PLASTIC SMALL OUTLINE



- NOTES:
- All linear dimensions are in millimeters.
 - This drawing is subject to change without notice.
 - Publication IPC-7351 is recommended for alternate designs.
 - Laser cutting apertures with trapezoidal walls and also rounding corners will offer better paste release. Customers should contact their board assembly site for stencil design recommendations. Refer to IPC-7525 for other stencil recommendations.
 - Customers should contact their board fabrication site for solder mask tolerances between and around signal pads.

顶点光电子商城
<https://www.vertex-icbuy.com/>



4220204/A 02/2017

NOTES:

1. All linear dimensions are in millimeters. Any dimensions in parenthesis are for reference only. Dimensioning and tolerancing per ASME Y14.5M.
2. This drawing is subject to change without notice.
3. This dimension does not include mold flash, protrusions, or gate burrs. Mold flash, protrusions, or gate burrs shall not exceed 0.15 mm per side.
4. This dimension does not include interlead flash. Interlead flash shall not exceed 0.25 mm per side.
5. Reference JEDEC registration MO-153.

顶点光电子商城

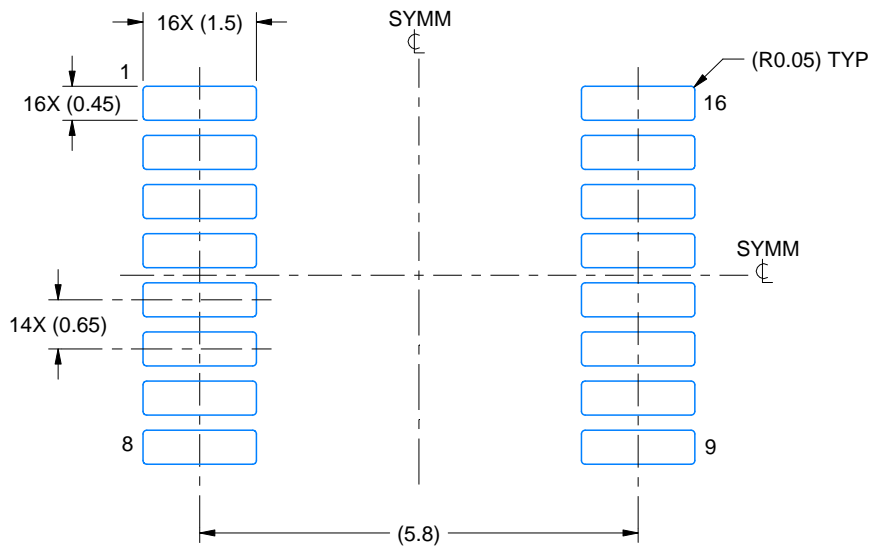
<https://www.vertex-icbuy.com/>

EXAMPLE BOARD LAYOUT

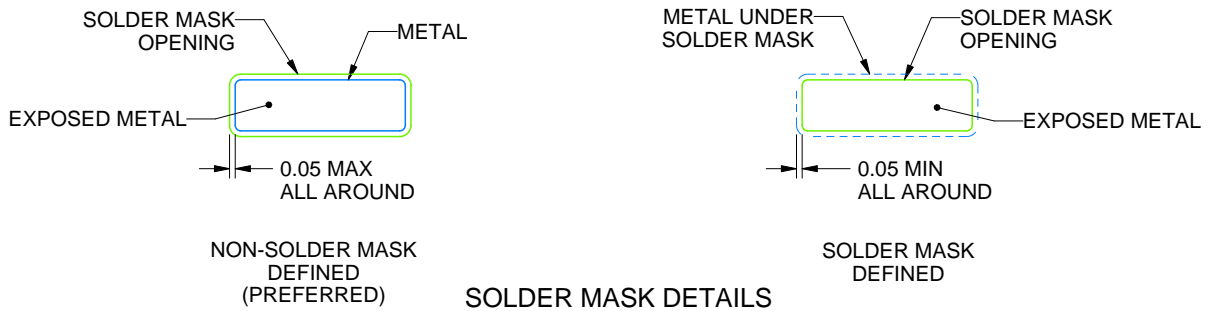
PW0016A

TSSOP - 1.2 mm max height

SMALL OUTLINE PACKAGE



LAND PATTERN EXAMPLE
EXPOSED METAL SHOWN
SCALE: 10X



4220204/A 02/2017

NOTES: (continued)

6. Publication IPC-7351 may have alternate designs.

7. Solder mask tolerances between and around signal pads can vary based on board fabrication site.

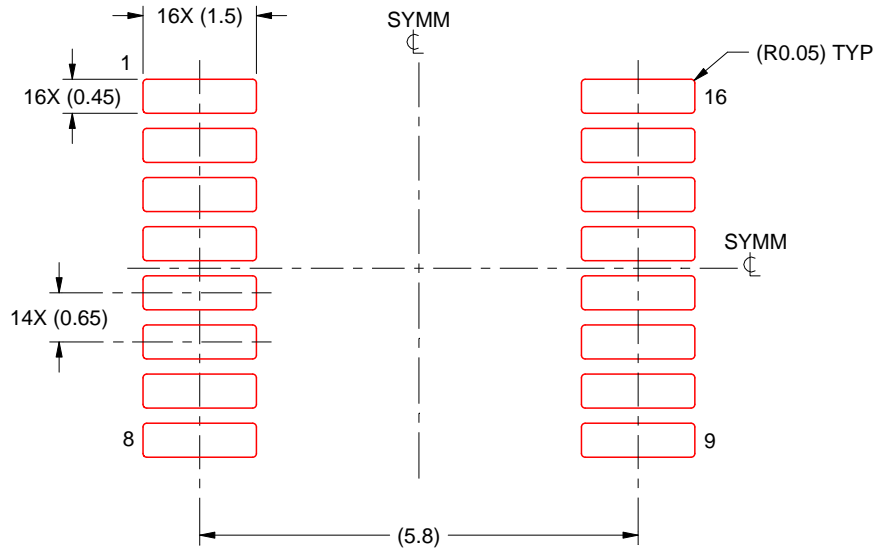
顶点光电子商城
<https://www.vertex-icbuy.com/>

EXAMPLE STENCIL DESIGN

PW0016A

TSSOP - 1.2 mm max height

SMALL OUTLINE PACKAGE



SOLDER PASTE EXAMPLE
BASED ON 0.125 mm THICK STENCIL
SCALE: 10X

4220204/A 02/2017

NOTES: (continued)

8. Laser cutting apertures with trapezoidal walls and rounded corners may offer better paste release. IPC-7525 may have alternate design recommendations.
9. Board assembly site may have different recommendations for stencil design.

顶点光电子商城
<https://www.vertex-icbuy.com/>

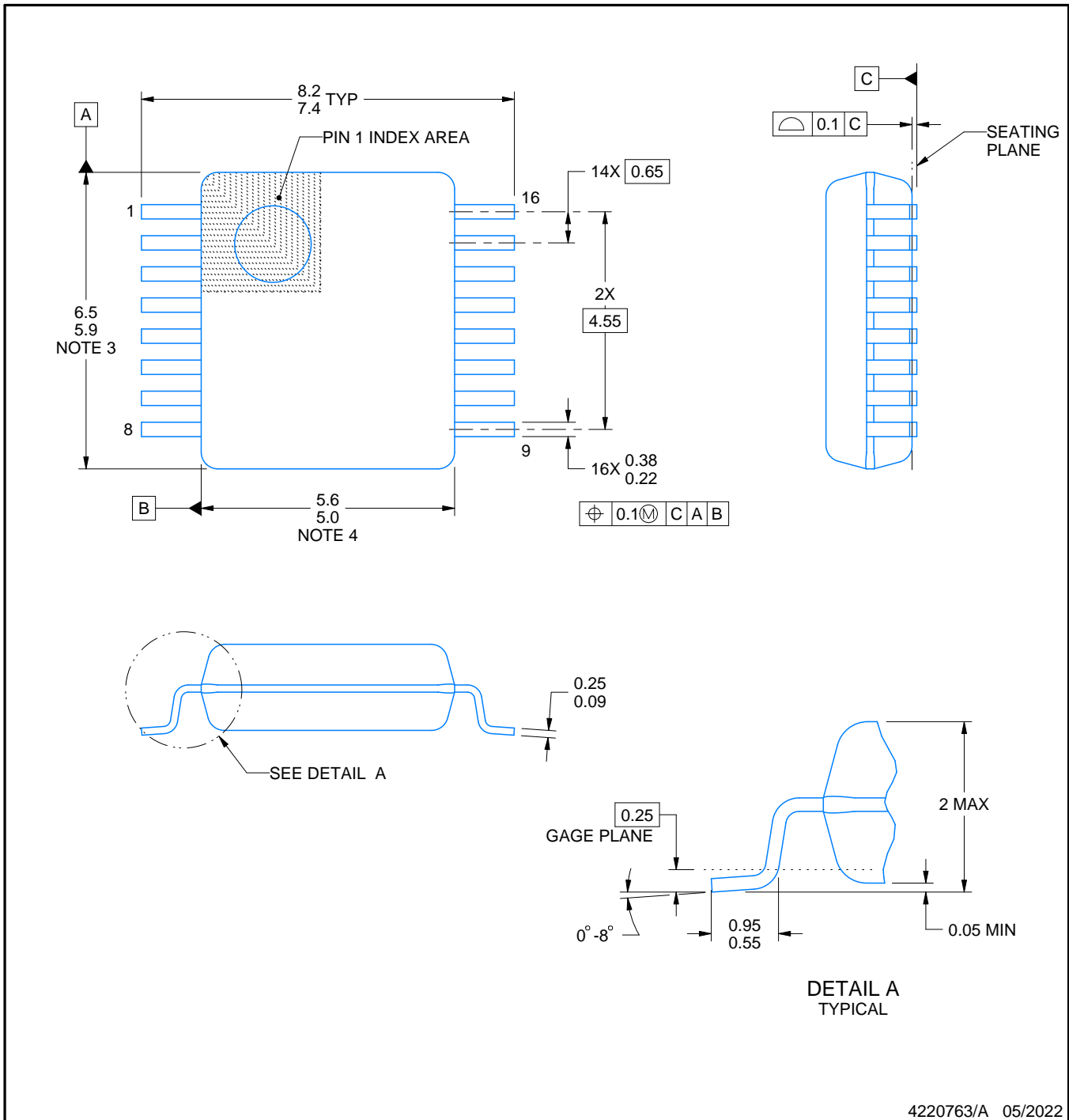
DB0016A



PACKAGE OUTLINE

SSOP - 2 mm max height

SMALL OUTLINE PACKAGE



4220763/A 05/2022

NOTES:

1. All linear dimensions are in millimeters. Any dimensions in parenthesis are for reference only. Dimensioning and tolerancing per ASME Y14.5M.
2. This drawing is subject to change without notice.
3. This dimension does not include mold flash, protrusions, or gate burrs. Mold flash, protrusions, or gate burrs shall not exceed 0.15 mm per side.
4. Reference JEDEC registration MO-150.

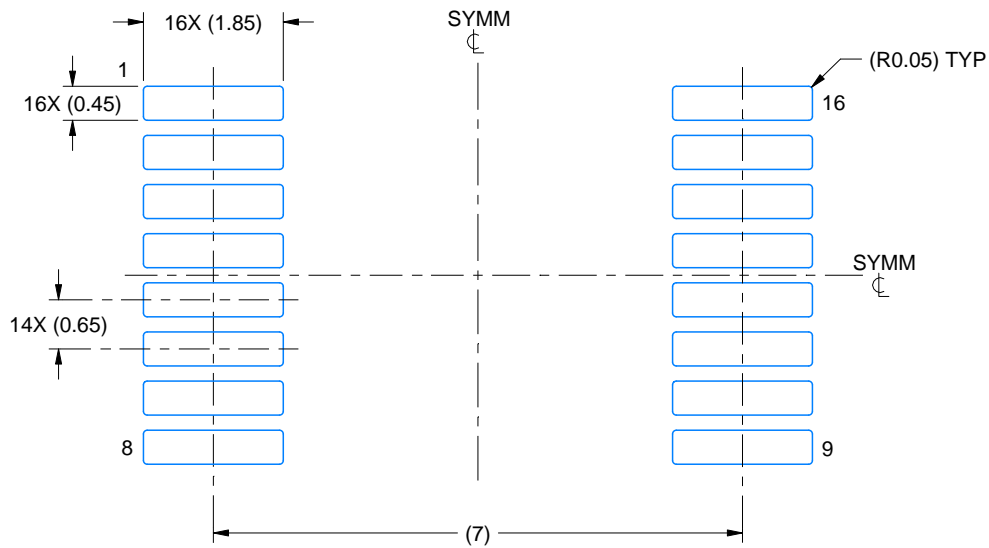
顶点光电子商城
<https://www.vertex-icbuy.com/>

EXAMPLE BOARD LAYOUT

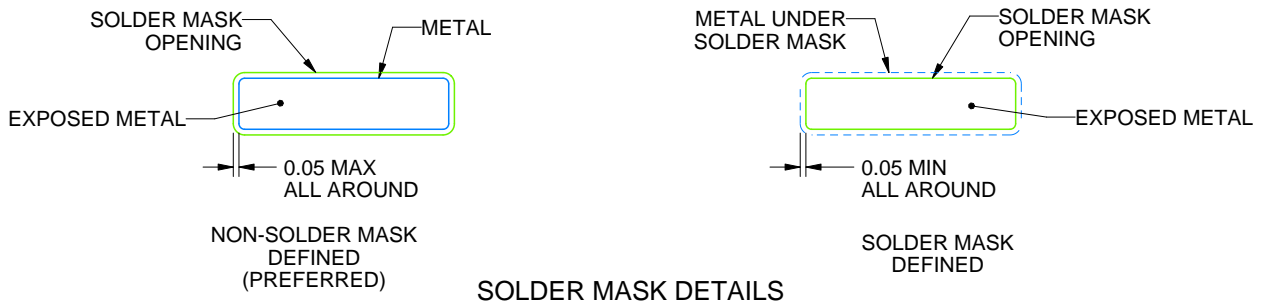
DB0016A

SSOP - 2 mm max height

SMALL OUTLINE PACKAGE



LAND PATTERN EXAMPLE
EXPOSED METAL SHOWN
SCALE: 10X



4220763/A 05/2022

NOTES: (continued)

- 5. Publication IPC-7351 may have alternate designs.
- 6. Solder mask tolerances between and around signal pads can vary based on board fabrication site.

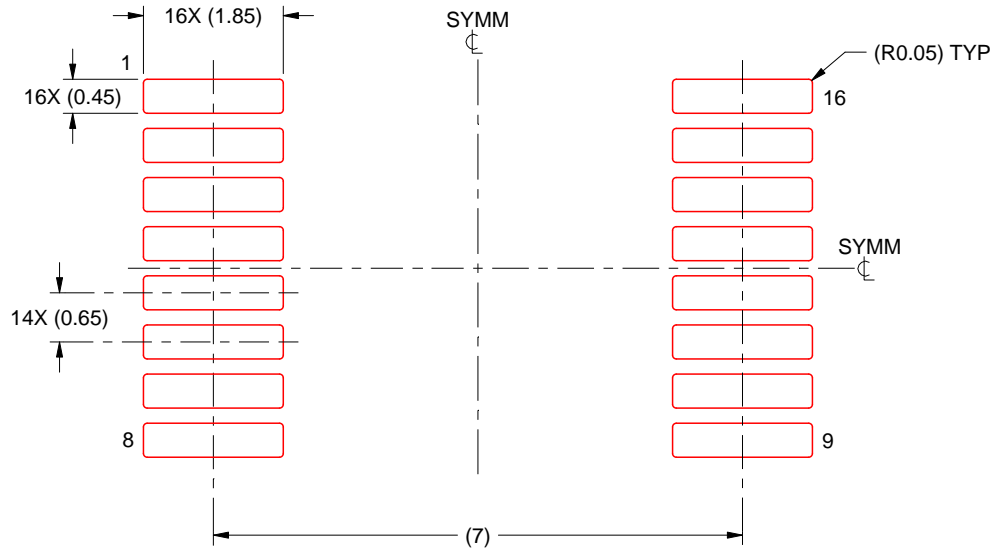
顶点光电子商城
<https://www.vertex-icbuy.com/>

EXAMPLE STENCIL DESIGN

DB0016A

SSOP - 2 mm max height

SMALL OUTLINE PACKAGE



SOLDER PASTE EXAMPLE
BASED ON 0.125 mm THICK STENCIL
SCALE: 10X

4220763/A 05/2022

NOTES: (continued)

7. Laser cutting apertures with trapezoidal walls and rounded corners may offer better paste release. IPC-7525 may have alternate design recommendations.
8. Board assembly site may have different recommendations for stencil design.

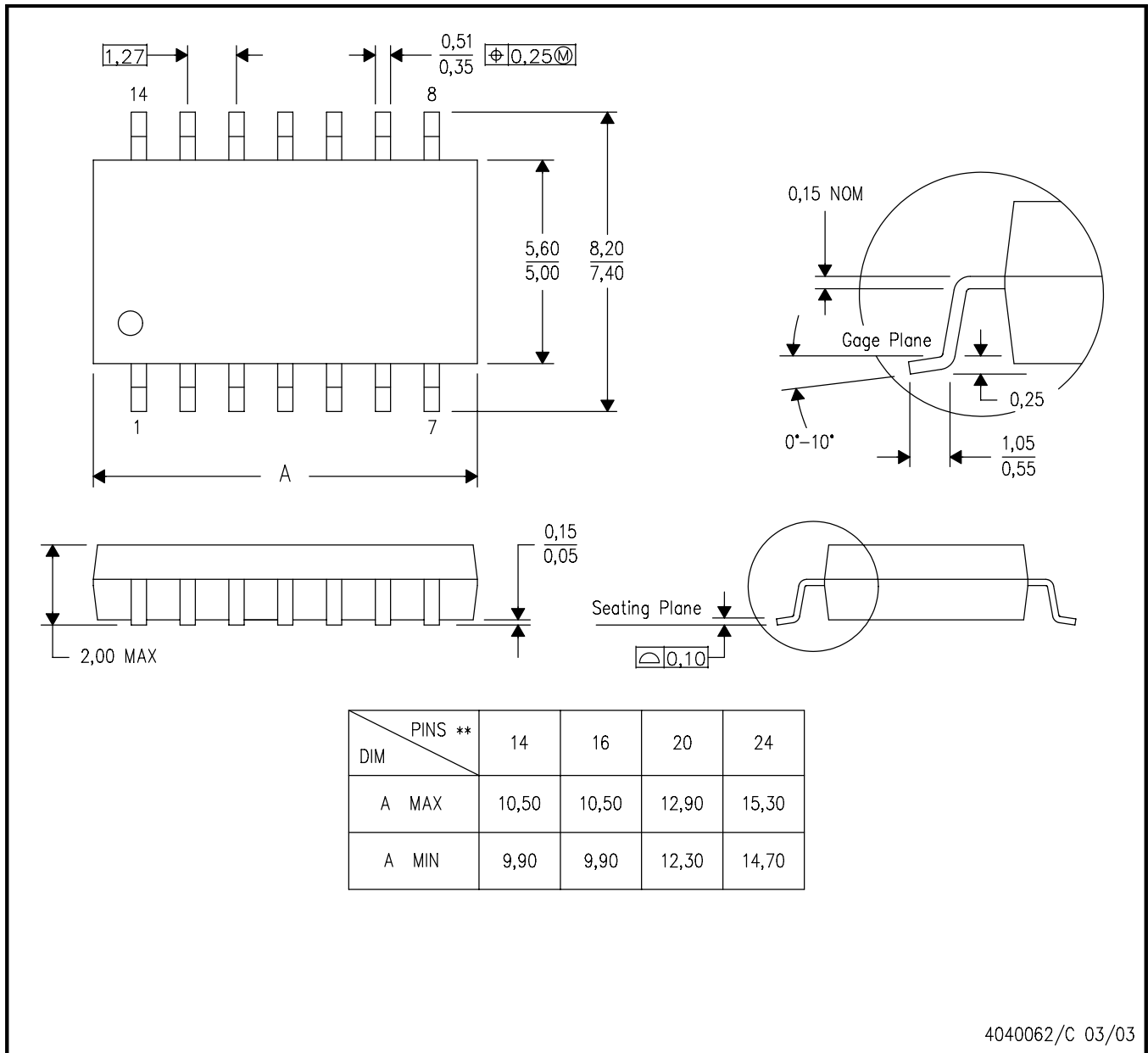
顶点光电子商城
<https://www.vertex-icbuy.com/>

MECHANICAL DATA

NS (R-PDSO-G**)

PLASTIC SMALL-OUTLINE PACKAGE

14-PINS SHOWN

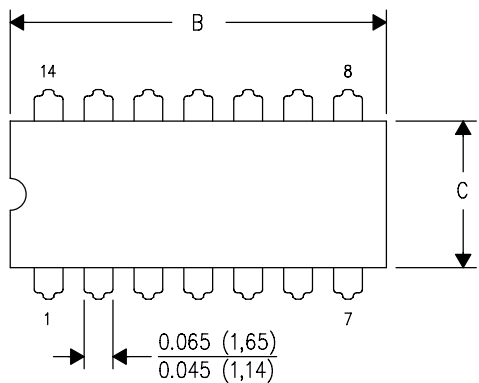


- NOTES:
- A. All linear dimensions are in millimeters.
 - B. This drawing is subject to change without notice.
 - C. Body dimensions do not include mold flash or protrusion, not to exceed 0,15.

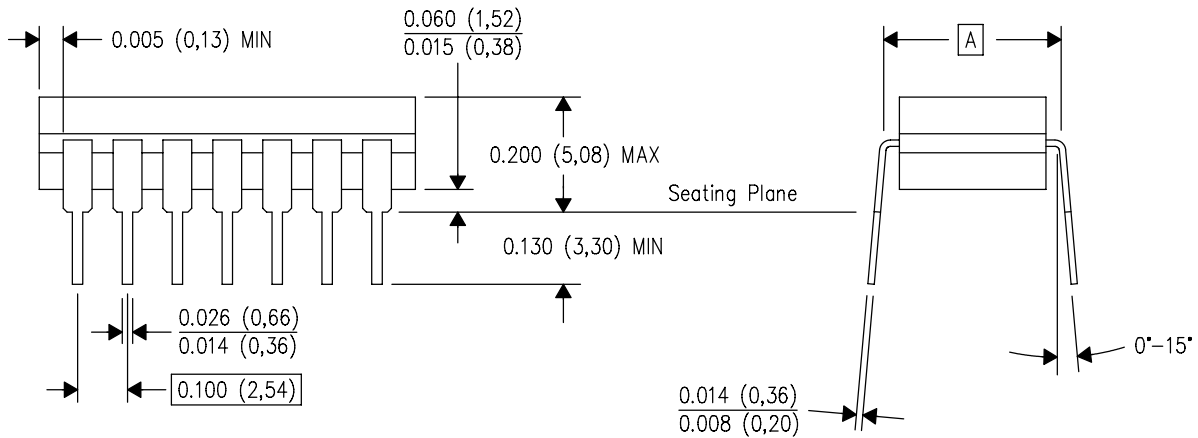
顶点光电子商城
<https://www.vertex-icbuy.com/>

J (R-GDIP-T**)
 14 LEADS SHOWN

CERAMIC DUAL IN-LINE PACKAGE



| DIM \ PINS ** | 14 | 16 | 18 | 20 |
|---------------|------------------------|------------------------|------------------------|------------------------|
| A | 0.300 (7,62) BSC | 0.300 (7,62) BSC | 0.300 (7,62) BSC | 0.300 (7,62) BSC |
| B MAX | 0.785 (19,94) | .840 (21,34) | 0.960 (24,38) | 1.060 (26,92) |
| B MIN | — | — | — | — |
| C MAX | 0.300 (7,62) | 0.300 (7,62) | 0.310 (7,87) | 0.300 (7,62) |
| C MIN | 0.245 (6,22) | 0.245 (6,22) | 0.220 (5,59) | 0.245 (6,22) |



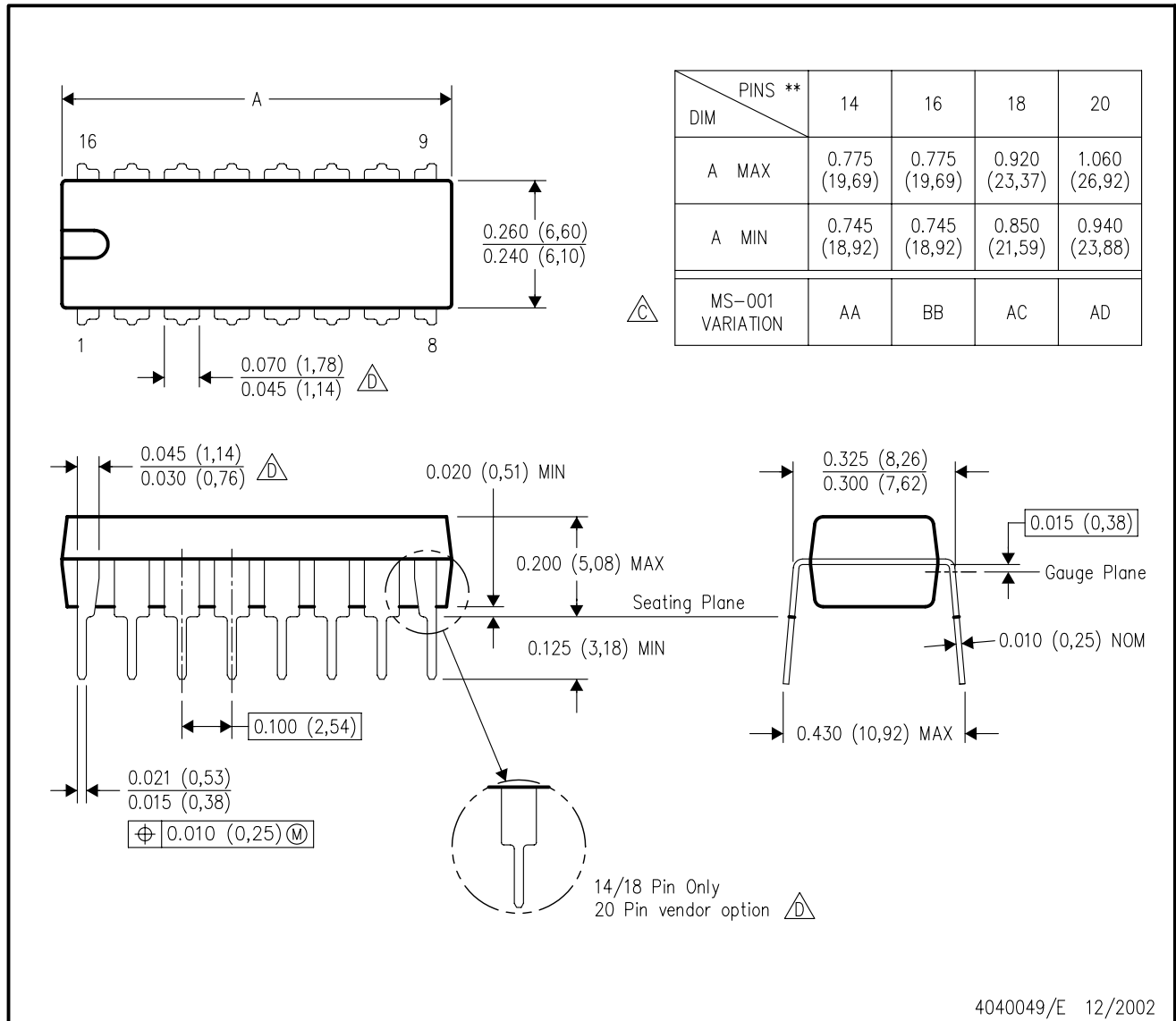
4040083/F 03/03

- NOTES:
- A. All linear dimensions are in inches (millimeters).
 - B. This drawing is subject to change without notice.
 - C. This package is hermetically sealed with a ceramic lid using glass frit.
 - D. Index point is provided on cap for terminal identification only on press ceramic glass frit seal only.
 - E. Falls within MIL STD 1835 GDIP1-T14, GDIP1-T16, GDIP1-T18 and GDIP1-T20.

N (R-PDIP-T**)

PLASTIC DUAL-IN-LINE PACKAGE

16 PINS SHOWN



- NOTES:
- A. All linear dimensions are in inches (millimeters).
 - B. This drawing is subject to change without notice.
 - Falls within JEDEC MS-001, except 18 and 20 pin minimum body length (Dim A).
 - The 20 pin end lead shoulder width is a vendor option, either half or full width.

顶点光电子商城
<https://www.vertex-icbuy.com/>