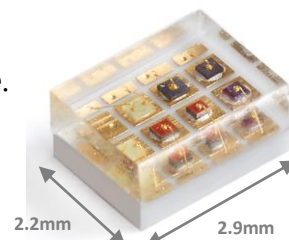


Multi Chips Emitter

8in1 Package

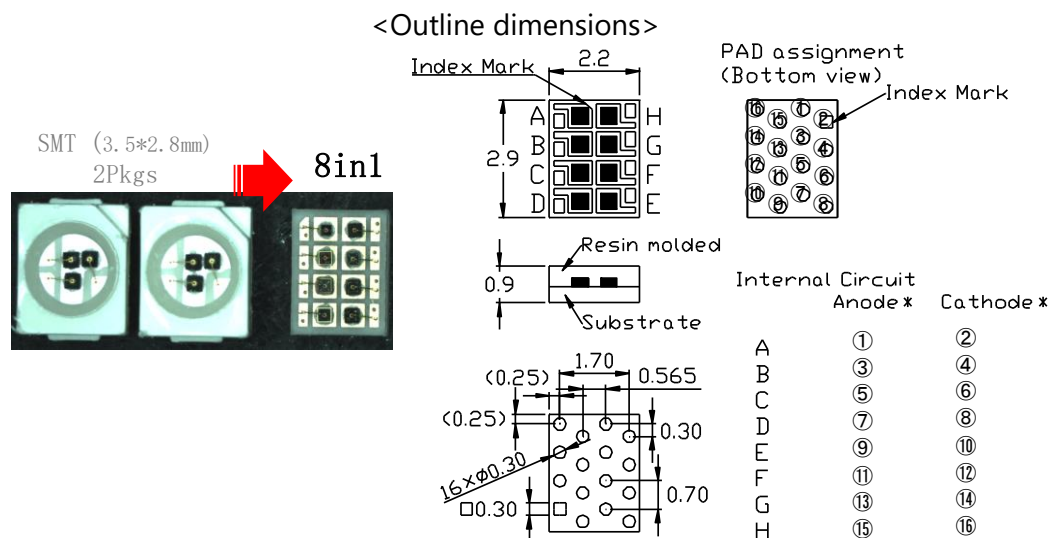
Features

- Up to 8 LEDs chips can be mounted in a single package.
Free to choose any 8 LEDs from the table below.
- All 8LEDs can be driven independently.
- Small size foot print 2.2mm×2.9mm



UV	VIS			NIR			SWIR	
365nm	430nm	545nm	640nm	690nm	760nm	850nm	1050nm	1750nm*
375nm	435nm	565nm	660nm	700nm	770nm	870nm	1100nm	1900nm
385nm	450nm	570nm	670nm	710nm	780nm	880nm	1150nm	—
395nm	470nm	590nm	680nm	720nm	800nm	890nm	1200nm	—
405nm	490nm	600nm	—	730nm	810nm	910nm	1300nm	—
415nm	505nm	610nm	—	735nm	820nm	940nm	1450nm	—
420nm	520nm	620nm	—	740nm	830nm	970nm	1550nm	—
—	525nm	630nm	—	750nm	840nm	980nm	1650nm	—

*Mold resin absorbs light at 1750 nm.



*Polarity depends on the mounted LEDs

Application

- Optical Vital Sign Monitoring
- Wearable devices

顶点光电子商城
<https://www.vertex-icbuy.com/>

